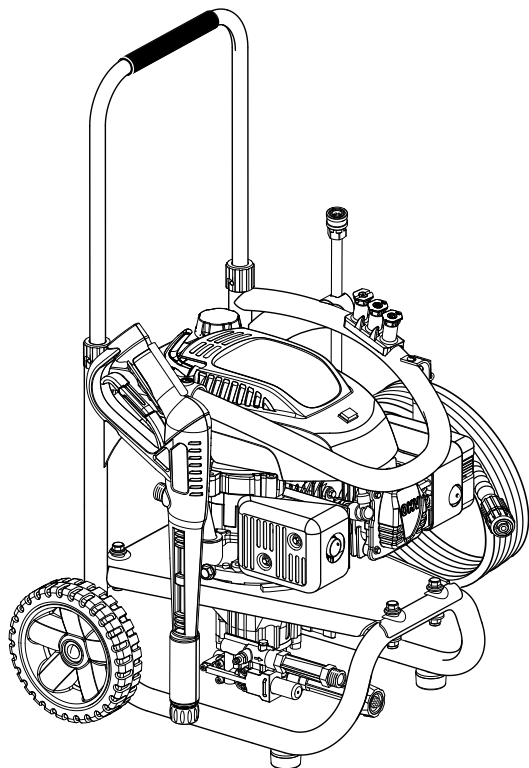


Homelite® OPERATOR'S MANUAL

MANUEL D'UTILISATION
MANUAL DEL OPERADOR



2200 PSI PRESSURE WASHER
NETTOYEUR HAUTE PRESSION DE 2200 PSI
LAVADORA A PRESIÓN DE 2200 PSI

UT80516

NOTICE AVIS AVISO

Do not use E15 or E85 fuel (or fuel containing greater than 10% ethanol) in this product. It is a violation of federal law and will damage the unit and void your warranty.



Ne pas utiliser d'essence E15 ou E85 (ou un carburant contenant plus de 10 % d'éthanol) dans ce produit. Une telle utilisation représente une violation de la loi fédérale et endommagera l'appareil et annulera la garantie.

No utilice combustibles E15 o E85 (ni combustibles que contengan más de 10 % de etanol) con este producto. Esto constituye una violación a la ley federal, dañará la unidad y anulará la garantía.

To register your Homelite product, please visit: <http://register.homelite.com/>

Pour enregistrer votre produit de Homelite, s'il vous plaît la visite: <http://register.homelite.com/>

Para registrar su producto de Homelite, por favor visita: <http://register.homelite.com/>

Your pressure washer has been engineered and manufactured to our high standard for dependability, ease of operation, and operator safety. When properly cared for, it will give you years of rugged, trouble-free performance.

⚠ WARNING: To reduce the risk of injury, the user must read and understand the operator's manual before using this product.

Thank you for your purchase.

SAVE THIS MANUAL FOR FUTURE REFERENCE

Ce nettoyeur haute pression a été conçu et fabriqué conformément aux strictes normes de fiabilité, simplicité d'emploi et sécurité d'utilisation. Correctement entretenu, il vous donnera des années de fonctionnement robuste et sans problème.

⚠ AVERTISSEMENT : Pour réduire les risques de blessures, l'utilisateur doit lire et veiller à bien comprendre le manuel d'utilisation avant d'utiliser ce produit.

Merci de votre achat.

**CONSERVER CE MANUEL POUR
FUTURE RÉFÉRENCE**

Su lavadora de presión ha sido diseñada y fabricada de conformidad con las estrictas normas para brindar fiabilidad, facilidad de uso y seguridad para el operador. Con el debido cuidado, le brindará muchos años de sólido y eficiente funcionamiento.

⚠ ADVERTENCIA: Para reducir el riesgo de lesiones, el usuario debe leer y comprender el manual del operador antes de usar este producto.

Le agradecemos su compra.

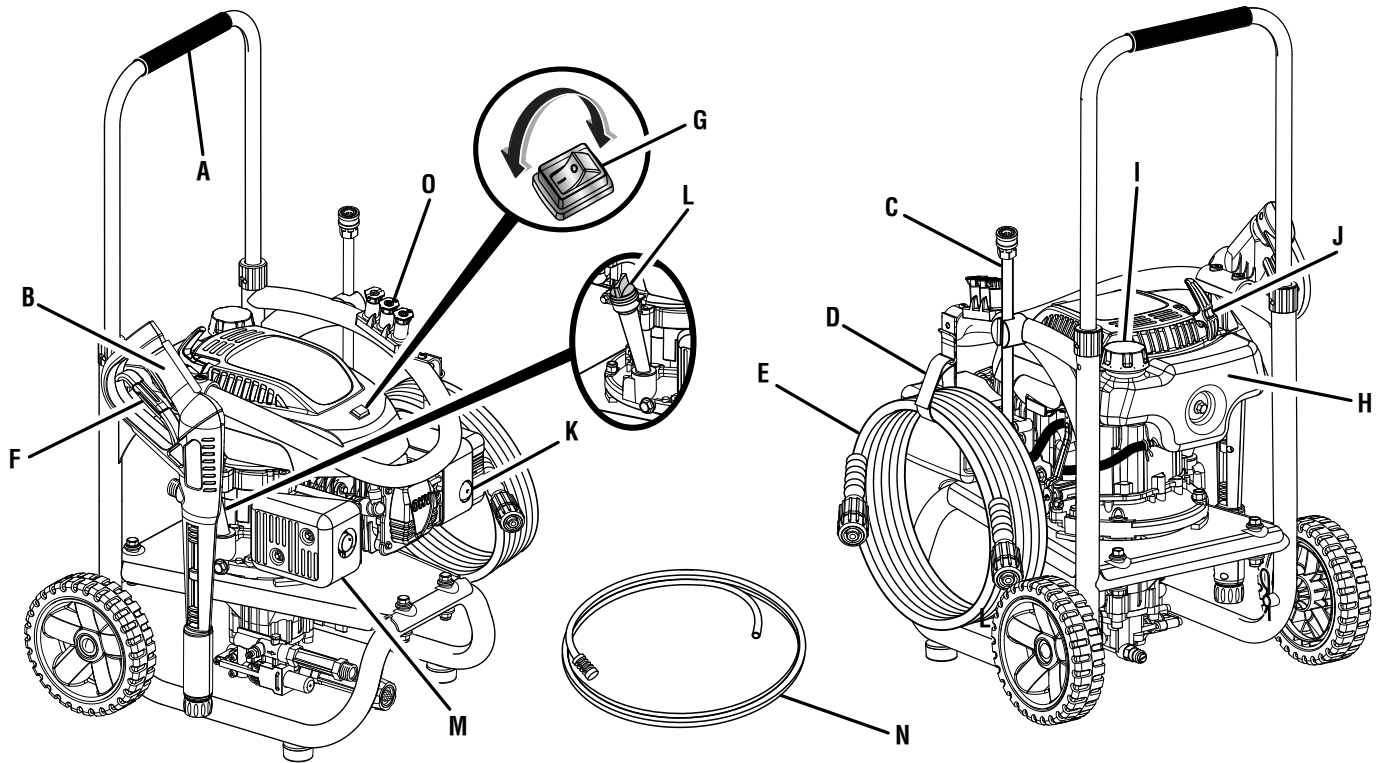
**GUARDE ESTE MANUAL PARA
FUTURAS CONSULTAS**

See this fold-out section for all of the figures referenced in the operator's manual.

Consulter l'encart à volets afin d'examiner toutes les figures mentionnées dans le manuel d'utilisation.

Consulte esta sección desplegable para ver todas las figuras a las que se hace referencia en el manual del operador.

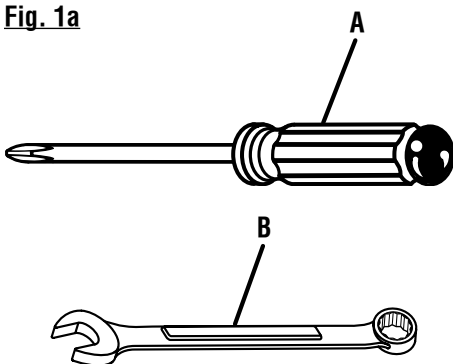
Fig. 1



- A - Telescoping handle (poignée télescopique, mango telescópico)
- B - Trigger handle (poignée de gâchette, mango del gatillo)
- C - Spray wand (lance de pulvérisation, tubo de rociado)
- D - High pressure hose storage (rangement de la tuyau haute pression, almacenamiento del manguera de alta presión)
- E - High pressure hose (tuyau haute pression, manguera de alta presión)
- F - Trigger with lock out (gâchette avec verrou, gatillo con seguro)
- G - (I) ON / (O) OFF switch (interrupteur marche/arrêt, interruptor de encendido/apagado)
- H - Fuel tank (réservoir de carburant, tanque de combustible)
- I - Fuel cap (bouchon du réservoir, tapa del tanque de combustible)

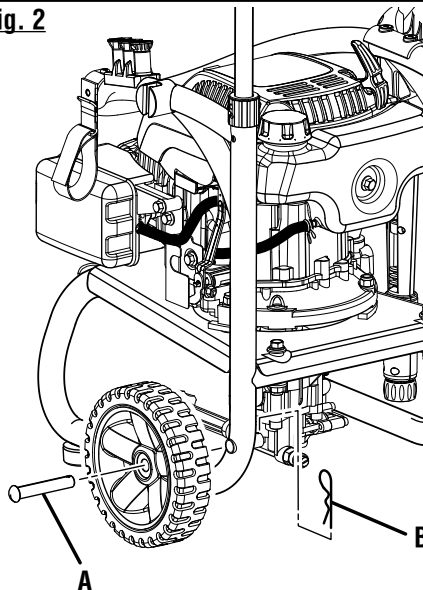
- J - Recoil starter (poignée du lanceur avec corde, mango del arrancador con cuerda)
- K - Primer bulb (poire d'amorçage, bomba de cebado)
- L - Lubricant cap/dipstick (bouchon/jauge d'huile, tapa del aceite con varilla de nivel)
- M - Muffler (silencieux, silenciador)
- N - Injection hose with filter (d'injection transparent avec filtre, manguera de inyección con filtro)
- O - Nozzle storage (buses et rangement de buse, boquillas y compartimientos para boquillas)

Fig. 1a



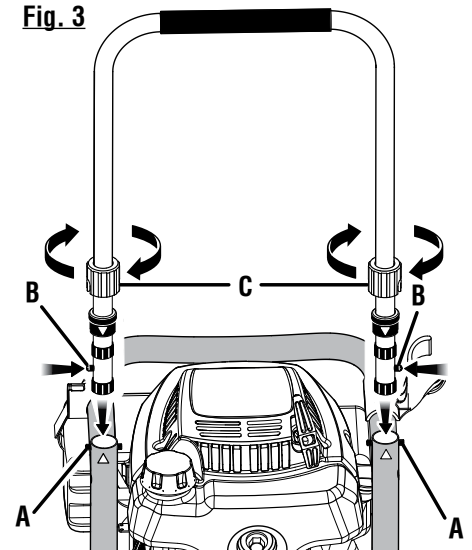
- A - Phillips screwdriver (tournevis phillips, destornillador phillips)
- B - Combination wrench (clé mixte, llave de combinación)

Fig. 2



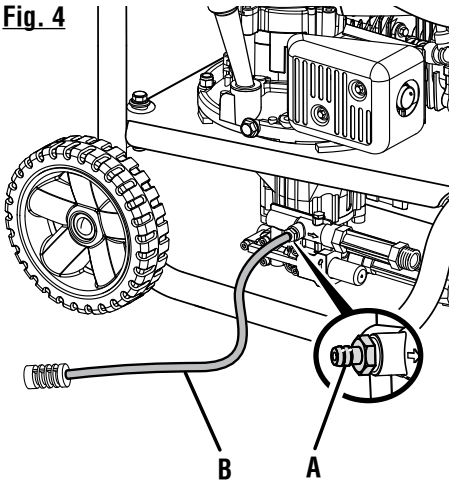
- A - Axle (essieu, eje)
- B - Hitch pin (goupille d'attelage, pasador de enganche)

Fig. 3



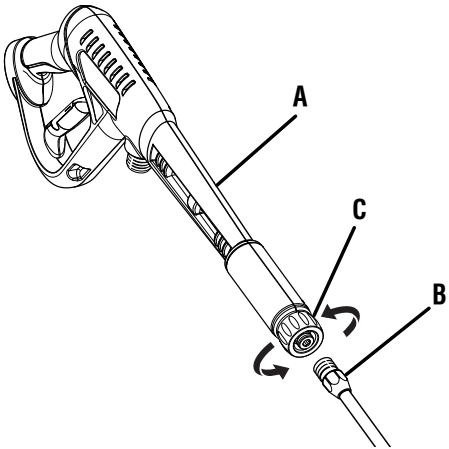
- A - Pin (goupille, pasador)
- B - Button (boulon, botón)
- C - Handle lock cap (chapeau de fermeture de la poignée, tapa de aseguramiento del mango)

Fig. 4



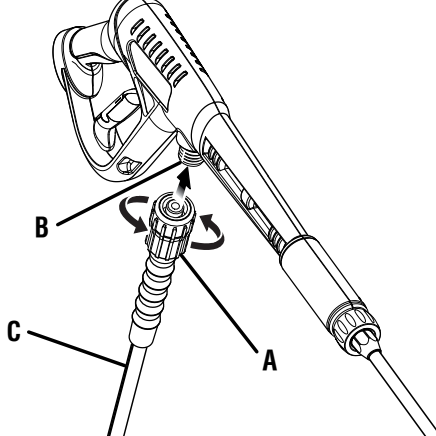
- A - Injection hose fitting (raccord du flexible d'injection, adaptador de la manguera de inyección)
- B - Injection hose (flexible d'injection, manguera de inyección)

Fig. 5



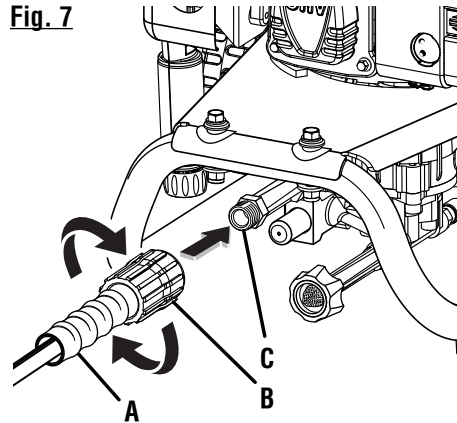
- A - Trigger handle (poignée de gâchette, mango del gatillo)
- B - Spray wand (lance de pulvérisation, tubo de rociado)
- C - Connector (connecteur, conector)

Fig. 6



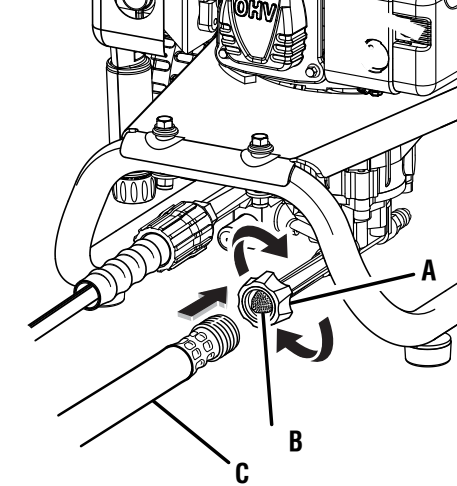
- A - Collar (collier, collar)
- B - Inlet coupler (raccord d'entrée, acoplador de entrada)
- C - High pressure hose (tuyau haute pression, manguera de alta presión)

Fig. 7



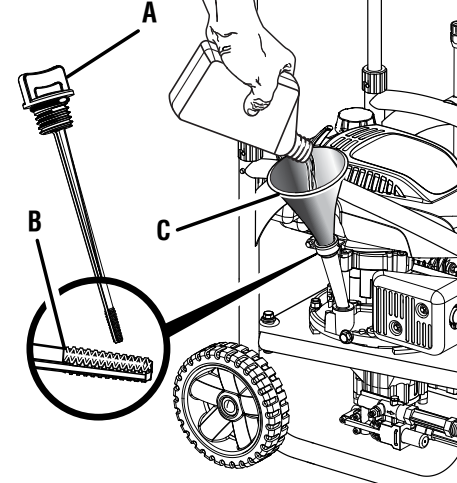
- A - High pressure hose (tuyau haute pression, manguera de alta presión)
- B - Collar (collier, collarín)
- C - Threaded nipple (têton fileté, conexión roscada)

Fig. 8



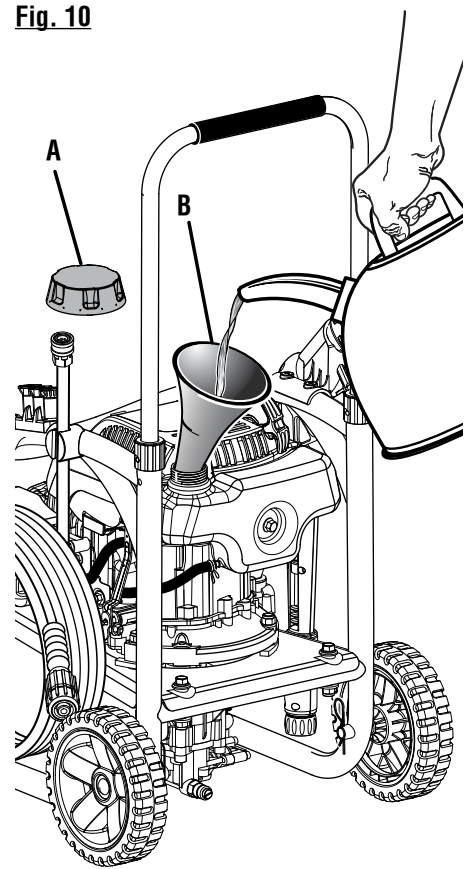
- A - Water intake (rise d'eau, entrada de agua)
- B - Screen (tamis, cedazo)
- C - Garden hose (tuyau d'arrosage, manguera de jardín)

Fig. 9



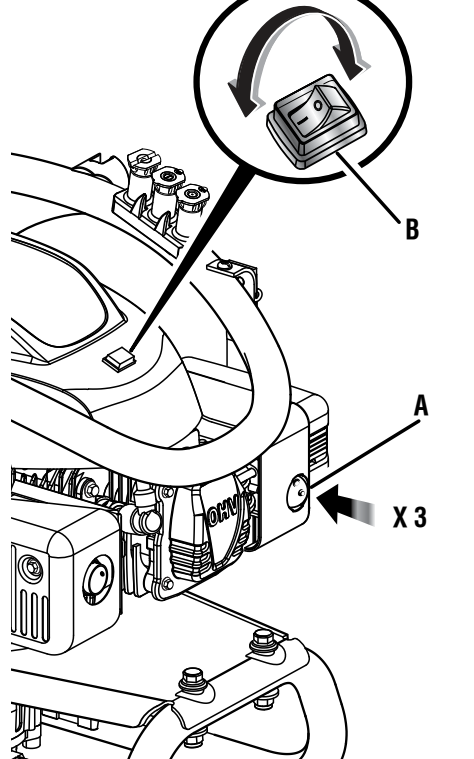
- A - Lubricant cap/dipstick (bouchon/jauge d'huile, tapa del aceite con varilla de nivel)
- B - Upper fill level (supérieur remplir le niveau nivel de carga superior)
- C - Funnel (entonnoir, embudo)

Fig. 10



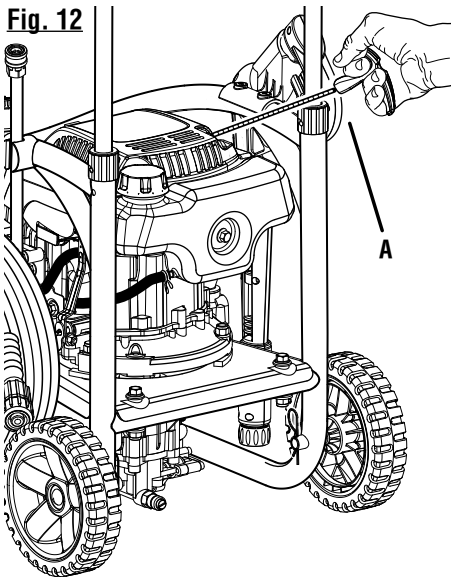
- A - Fuel cap (bouchon du réservoir, tapa del tanque de combustible)
- B - Funnel (entonnoir, embudo)

Fig. 11



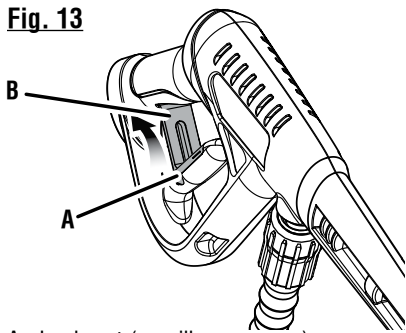
- A - Primer bulb (poire d'amorçage, bomba de cebado)
- B - (I) ON / (O) OFF switch (interrupteur marche/arrêt, interruptor de encendido/apagado)

Fig. 12



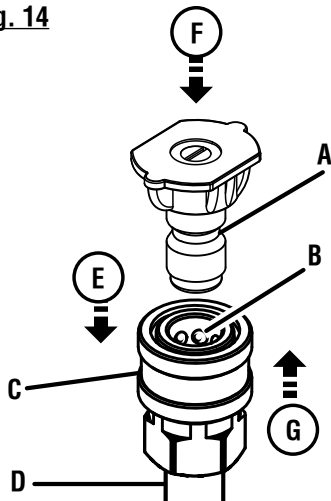
A - Recoil starter (lanceur à rappel, arrancador retráctil)

Fig. 13



A - Lock-out (erouillage, seguro)
B - Slot (fente, ranura)

Fig. 14



A - Nozzle (embout, boquilla)
B - "Click" (déclat, hasta que trabe)
C - Quick-connect collar (casquillo de conexión rápida)
D - Spray wand (lance de pulvérisation, tubo de rociador)
E - Pull back the quick-connect collar (tirer la bague à connexion rapide, tire del collar de conexión rápida)
F - Push the nozzle into place (insérer en place la buse, introduzca la boquilla en su lugar)
G - Push the collar forward (poussez en avant la bague, empueje del collar adelante)

Fig. 15

**MOVING THE PRESSURE WASHER
DÉPLACEMENT DE LA MACHINE
PARA MOVER LA MAQUINA**

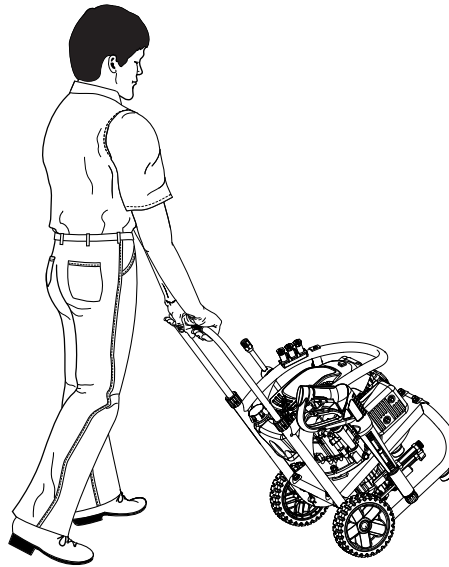
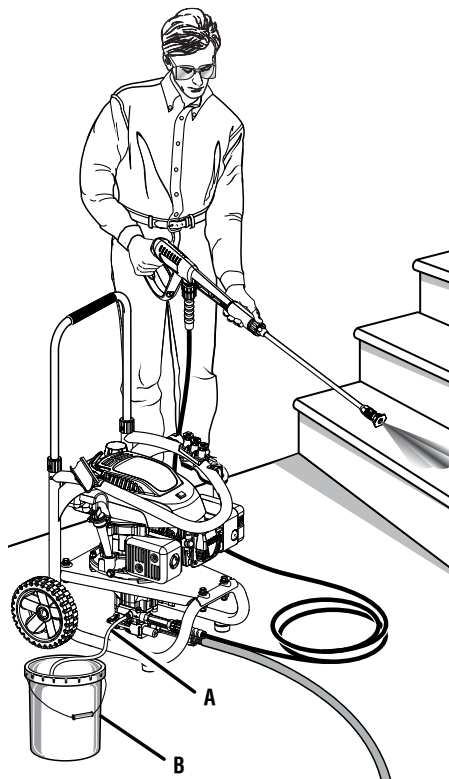
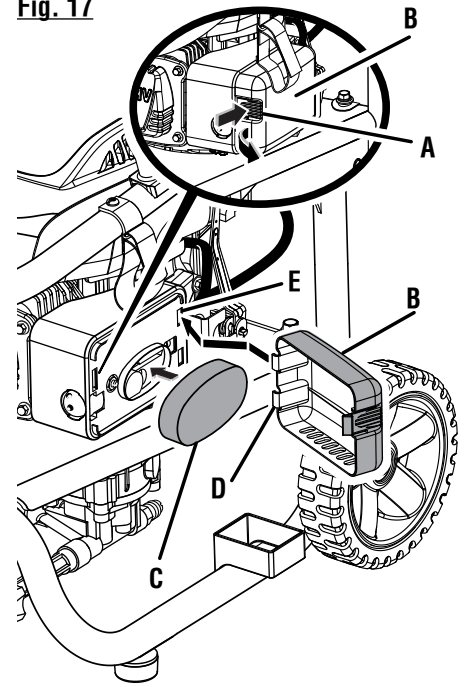


Fig. 16



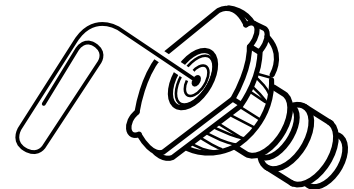
A - Injection hose (flexible d'injection, manguera de inyección)
B - Detergent container (réservoir de détergent, recipiente del detergente)

Fig. 17



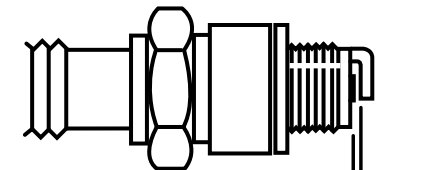
A - Air filter latch (verrou du filtre à air, traba del filtro de aire)
B - Air filter cover (couverture du filtre à air, tapa del filtro de aire)
C - Air filter (filtre à air, filtro de aire)
D - Tabs (ergots, legüetas)
E - Notches (encoche, ranuras)

Fig. 18



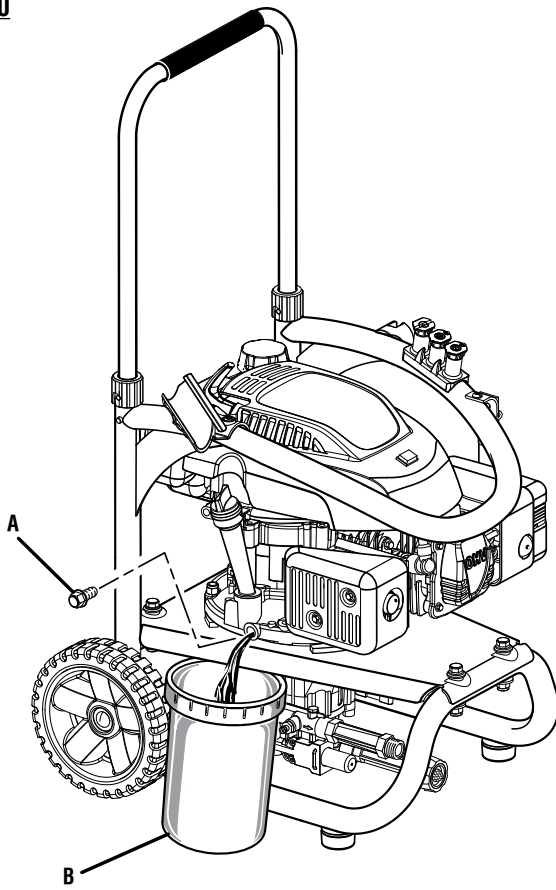
A - Paper clip (pièces de papier, clips de papel)

Fig. 19



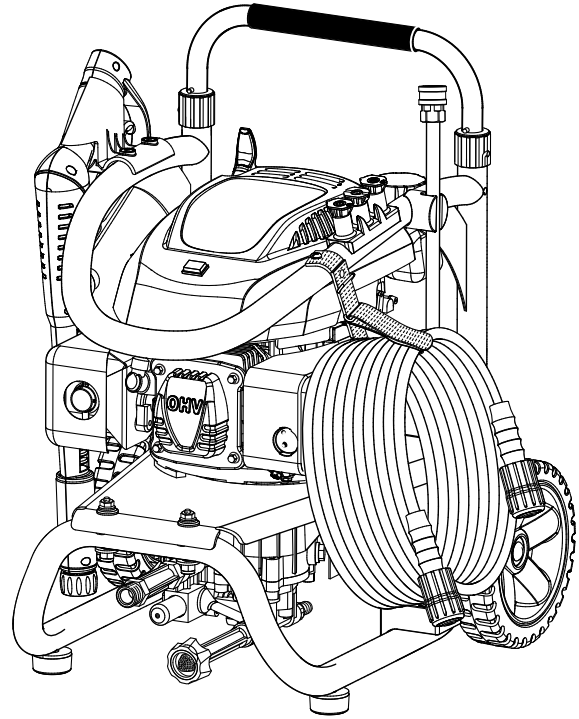
0.028 in. - 0.031 in.
(0,71 mm - 0,78 mm)

Fig. 20



A - Oil drain plug (bouchon de vidange d'huile, tapón de drenaje del aceite)
B - Container (récipient, recipiente)

Fig. 21



**TO STORE THE MACHINE
REMISAGE DE LA MACHINE
PARA GUARDAR LA MÁQUINA**

TABLE OF CONTENTS

TABLE DES MATIÈRES / ÍNDICE DE CONTENIDO

■ Introduction	2
Introduction / Introducción	
■ Important Safety Instructions	3
Règles de sécurité générales / Reglas de seguridad generales	
■ Specific Safety Rules.....	4
Règles de sécurité particulières / Reglas de seguridad específicas	
■ Symbols.....	5-6
Symboles / Símbolos	
■ Features.....	7
Caractéristiques / Características	
■ Assembly	7-9
Assemblage / Armado	
■ Operation.....	10-13
Utilisation / Funcionamiento	
■ Maintenance	14-16
Entretien / Mantenimiento	
■ Troubleshooting	17
Dépannage / Solución de problemas	
■ Warranty	18-19
Garantie / Garantía	
■ Parts Ordering and Service	Back Page
Commande de pièces et réparation / Pedidos de piezas y servicio	Page arrière / Pág. posterior

INTRODUCTION

INTRODUCCIÓN

This product has many features for making its use more pleasant and enjoyable. Safety, performance, and dependability have been given top priority in the design of this product making it easy to maintain and operate.

* * *

Ce produit offre de nombreuses fonctions destinées à rendre son utilisation plus plaisante et satisfaisante. Lors de la conception de ce produit, l'accent a été mis sur la sécurité, les performances et la fiabilité, afin d'en faire un outil facile à utiliser et à entretenir.

* * *

Este producto ofrece numerosas características para hacer más agradable y placentero su uso. En el diseño de este producto se ha conferido prioridad a la seguridad, el desempeño y la fiabilidad, por lo cual se facilita su manejo y mantenimiento.

IMPORTANT SAFETY INSTRUCTIONS

WARNING:

Read and understand all instructions. Failure to follow all instructions listed below may result in electric shock, fire and/or carbon monoxide poisoning which will cause death or serious personal injury.

READ ALL INSTRUCTIONS




- **Know your tool.** Read the operator's manual carefully. Learn the machine's applications and limitations as well as the specific potential hazards related to this tool.
- **Keep guards in place** and in working order. Never operate the tool with any guard or cover removed. Make sure all guards are operating properly before each use.
- **Remove adjusting keys and wrenches.** Form habit of checking to see that keys and adjusting wrenches are removed from tool before turning it on.
- **To reduce the risk of injury,** keep children and visitors away. All visitors should wear safety glasses and be kept a safe distance from work area.
- **Keep the area of operation clear of all persons,** particularly small children, and pets.
- **Do not start or operate the engine in a confined space, building, near open windows, or in other unventilated space** where dangerous carbon monoxide fumes can collect. Carbon monoxide, a colorless, odorless, and extremely dangerous gas, can cause unconsciousness or death.
- **Use right tool.** Don't force tool or attachment to do a job it was not designed for. Don't use it for a purpose not intended.
- **Dress properly.** Do not wear loose clothing, gloves, neckties, or jewelry. They can get caught and draw you into moving parts. Rubber gloves and nonskid footwear are recommended when working outdoors. Also wear protective hair covering to contain long hair.
- **Do not operate the equipment while barefoot or when wearing sandals or similar lightweight footwear.** Wear protective footwear that will protect your feet and improve your footing on slippery surfaces.
- **Exercise caution to avoid slipping or falling.**
- **Always wear eye protection with side shields marked to comply with ANSI Z87.1.** Following this rule will reduce the risk of serious personal injury.
- **Don't overreach or stand on unstable support.** Keep proper footing and balance at all times.
- **Use only recommended accessories.** The use of improper accessories may cause risk of injury.
- **Follow the maintenance instructions specified in this manual.**
- **Check damaged parts.** Before further use of the tool, a guard or other part that is damaged should be carefully checked to determine that it will operate properly and perform its intended function. Check for alignment of moving parts, binding of moving parts, breakage of parts, mounting, and any other conditions that may affect its operation. A guard or other part that is damaged must be properly repaired or replaced by an authorized service center to avoid risk of personal injury.
- **Never leave tool running unattended. Turn power off.** Don't leave tool until it comes to a complete stop.
- **Keep the engine free of grass, leaves, or grease** to reduce the chance of a fire hazard.
- **Keep the exhaust pipe free of foreign objects.**
- **Follow manufacturer's recommendations for safe loading, unloading, transport, and storage of machine.**
- **Be thoroughly familiar with controls.** Know how to stop the product and bleed pressure quickly.
- **Keep tool dry, clean, and free from lubricant and grease.** Always use a clean cloth when cleaning. Never use brake fluids, gasoline, petroleum-based products, or any solvents to clean tool.
- **Stay alert and exercise control.** Watch what you are doing and use common sense. Do not operate tool when you are tired. Do not rush.
- **Do not operate the product while under the influence of drugs, alcohol, or any medication.**
- **Check the work area before each use.** Remove all objects such as rocks, broken glass, nails, wire, or string which can be thrown or become entangled in the machine.
- **Do not use tool if switch does not turn it off.** Have defective switches replaced by an authorized service center.
- **Before cleaning, repairing, or inspecting,** shut off the engine and make certain all moving parts have stopped. Disconnect the spark plug wire, and keep the wire away from the plug to prevent accidental starting.
- **Avoid dangerous environment.** Don't use in damp or wet locations or expose to rain. Keep work area well lit.
- **Never use in an explosive atmosphere.** Normal sparking of the motor could ignite fumes.
- **Do not operate while smoking or near an open flame.**
- **Do not operate around dry brush, twigs, cloth rags, or other flammable materials.**
- **WARNING: Risk of injection or injury** – Do not direct discharge stream at persons.

SPECIFIC SAFETY RULES









- **Use caution when positioning the pressure washer for use.** Warm air from the engine could cause discolored spots on grass.
- **Never direct a water stream toward people or pets, or any electrical device.**
- **Before starting any cleaning operation,** close doors and windows. Clear the area to be cleaned of debris, toys, outdoor furniture, or other objects that could create a hazard.
- **Never pick up or carry a machine while the engine is running.**
- **Never start the machine** if ice has formed in any part of the equipment.
- **Do not use acids, alkalines, solvents, flammable material, bleaches, or industrial grade solutions** in this product. These products can cause physical injuries to the operator and irreversible damage to the machine.
- **Always operate the machine** on a level surface. If the engine is on an incline, it could seize due to improper lubrication (even at the maximum lubricant level).
- **WARNING: High pressure jets can be dangerous if subject to misuse.** The jet must not be directed at persons, animals, electrical devices, or the machine itself.
- **Hold the handle and wand securely with both hands.** Expect the trigger handle to move when the trigger is pulled due to reaction forces. Failure to do so could cause loss of control and injury to yourself and others.
- **Never attempt to make any adjustments while the engine (motor) is running** (except where specifically recommended by the manufacturer).
- **Protective covers must always cover rotating parts when the engine is running.**
- **Keep cooling air intake** (recoil starter area) and muffler side of the engine at least 3 feet away from buildings, obstructions, and other combustible objects.
- **Keep the engine away from flammables and other hazardous materials.**
- **Keep away from hot parts.** The muffler and other engine parts become very hot; use caution.
- **Do not touch the spark plug and ignition cable** when starting and operating the engine.
- **Check fuel hoses and joints** for looseness and fuel leakage before each use.
- **Check bolts and nuts** for looseness before each use. A loose bolt or nut may cause serious engine problems.
- **Always refuel outdoors.** Never refuel indoors or in a poorly ventilated area.
- **Never store the machine with fuel in the fuel tank inside a building** where ignition sources are present, such as hot water and space heaters, clothes dryers, and the like.
- **If the fuel tank has to be drained, do this outdoors.**
- **To reduce the risk of fire and burn injury,** handle fuel with care. It is highly flammable.
- **Do not smoke while handling fuel.**
- **Add fuel before starting the engine.** Never remove the cap of the fuel tank or add fuel while the engine is running or when the engine is hot.
- **Loosen fuel cap slowly** to release pressure and to keep fuel from escaping around the cap.
- **Replace all fuel tank and container caps securely.**
- **Wipe spilled fuel from the unit.** Move 30 feet away from refueling site before starting engine.
- **If fuel is spilled,** do not attempt to start the engine but move the machine away from the area of spillage and avoid creating any source of ignition until fuel vapors have dissipated.
- **Never attempt to burn off spilled fuel under any circumstances.**
- **Before storing, allow the engine to cool and drain fuel from the unit.**
- **Store fuel in a cool, well-ventilated area,** safely away from spark and/or flame-producing equipment.
- **Store fuel in containers** specifically designed for this purpose.
- **Empty fuel tank and restrain the unit from moving** before transporting in a vehicle.
- **When servicing use only identical replacement parts.** Use of any other parts may create a hazard or cause product damage.
- **ONLY use cold water.**
- **Make sure minimum clearance** of 3 feet is maintained from combustible materials.
- **Never spray close to the surface** to be cleaned as you can damage the surface.
- **After stopping the engine, always pull the trigger on the trigger handle to relieve stored pressure in the high pressure hose.** Failure to do so could result in serious personal injury.
- **For outdoor use only.**
- **Ensure the high pressure hose is properly connected before using the product.**
- **Save these instructions.** Refer to them frequently and use them to instruct other users. If you loan someone this tool, loan them these instructions also.

SYMBOLS

The following signal words and meanings are intended to explain the levels of risk associated with this product.


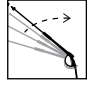


SYMBOL	SIGNAL	MEANING
	DANGER:	Indicates an imminently hazardous situation, which, if not avoided, will result in death or serious injury.
	WARNING:	Indicates a potentially hazardous situation, which, if not avoided, could result in death or serious injury.
	CAUTION:	Indicates a potentially hazardous situation, which, if not avoided, may result in minor or moderate injury.
	NOTICE:	(Without Safety Alert Symbol) Indicates important information not related to an injury hazard, such as a situation that may result in property damage.

Some of the following symbols may be used on this product. Please study them and learn their meaning for safe operation of this product.

SYMBOL	NAME	EXPLANATION
	Safety Alert	Indicates a potential personal injury hazard.
	Read Operator's Manual	To reduce the risk of injury, user must read and understand operator's manual before using this product.
	Eye Protection	Always wear eye protection with side shields marked to comply with ANSI Z87.1.
	Wet Conditions Alert	Do not expose to rain or use in damp locations.
	Hot Surface	To reduce the risk of injury or damage, avoid contact with any hot surface.
	Risk of Injections	To reduce the risk of injection or injury, never direct a water stream towards people or pets or place any body part in the stream. Leaking hoses and fittings are also capable of causing injection injury. Do not hold hoses or fittings.
	Risk of Explosion	Fuel and its vapors are explosive and can cause severe burns or death.
	Risk of Fire	Fuel and its vapors are extremely flammable and explosive. Fire can cause severe burns or death.

SYMBOLS

Some of the following symbols may be used on this product. Please study them and learn their meaning for safe operation of this product.

SYMBOL	NAME	EXPLANATION
	Toxic Fumes	Gas products emit carbon monoxide, an odorless, colorless, poison gas. Breathing carbon monoxide can cause nausea, fainting, or death.
	Kickback	To reduce the risk of injury from kickback, hold the spray wand securely with both hands when the machine is on.
	Electric Shock	Failure to use in dry conditions and to observe safe practices can result in electric shock.
	Chemical Burns	To reduce the risk of injury or damage, DO NOT USE ACIDS, ALKALINES, BLEACHES, SOLVENTS, FLAMMABLE MATERIAL, OR INDUSTRIAL GRADE SOLUTIONS in this product.

FEATURES

PRODUCT SPECIFICATIONS

Fuel Tank Capacity	0.25 gal.
Oil Fill Volume.....	16 to 18 oz.
Replacement Spark Plug.....	F6TC or equivalent
Maximum Pounds Per Square Inch Pressure*	2,200 psi
Maximum Gallons Per Minute*	2.0 gpm
Maximum Inlet Water Temperature	104°F

*Max rating determined by PWMA Standard 101

KNOW YOUR PRESSURE WASHER

See Figure 1.

The safe use of this product requires an understanding of the information on the tool and in this operator's manual as well as a knowledge of the project you are attempting. Before use of this product, familiarize yourself with all operating features and safety rules.

FUEL TANK

This fuel tank has a maximum capacity of 0.25 gal. Use unleaded automotive gasoline in the engine.

HOSE STORAGE

Once the high pressure hose is rolled, hang it on the machine using the hook-and-loop strap to secure in place.

ON/OFF SWITCH

To turn the engine off, press the **ON/OFF** switch.

RECOIL STARTER

The recoil starter is pulled to start the machine.

THERMAL RELIEF VALVE

This pump feature will prevent water temperatures from reaching harmful levels by releasing a small amount of water. Once the water has drained, the thermal relief valve will reset itself.

TRIGGER HANDLE

The trigger handle has a gripping surface that provides added control of the spray wand and helps reduce fatigue. Both the trigger handle and spray wand have storage areas located on the sides of the machine.

TRIGGER WITH LOCK OUT

Pulling the trigger releases a stream of water for high pressure cleaning. The lock out provides protection against unauthorized use.

ASSEMBLY

UNPACKING

This product requires assembly.

- Carefully remove the product and any accessories from the box. Make sure that all items listed in the packing list are included.

WARNING:

Do not use this product if any parts on the Packing List are already assembled to your product when you unpack it. Parts on this list are not assembled to the product by the manufacturer and require customer installation. Use of a product that may have been improperly assembled could result in serious personal injury.

NOTE: This tool is heavy. To avoid back injury, lift with your legs, not your back, and get help when needed.

- Inspect the tool carefully to make sure no breakage or damage occurred during shipping.
- Do not discard the packing material until you have carefully inspected and satisfactorily operated the tool.
- If any parts are damaged or missing, please call 1-800-242-4672 for assistance.

ASSEMBLY

PACKING LIST

Pressure Washer
25 ft. High Pressure Hose
Trigger Handle
Spray Wand
Quick-Connect Nozzles (3) with Nozzle Storage
Injection Hose
Wheel (2)
Axle (2)
Hitch Pin (2)
4-Cycle Engine Lubricant (SAE 30)
Telescoping Handle
Operator's Manual

WARNING:

If any parts are damaged or missing do not operate this product until the parts are replaced. Use of this product with damaged or missing parts could result in serious personal injury.

WARNING:

Do not attempt to modify this product or create accessories not recommended for use with this product. Any such alteration or modification is misuse and could result in a hazardous condition leading to possible serious personal injury.

WARNING:

To prevent accidental starting that could cause serious personal injury, always disconnect the engine spark plug wire from the spark plug when assembling parts.

TOOLS NEEDED

See Figure 1a.

The following tools (not included or drawn to scale) are needed for assembly:

- 7/16 in. wrench
- Phillips head screwdriver

ATTACHING THE WHEEL ASSEMBLY

See Figure 2.

- Locate the axle, hitch pins, and wheels. Remove the hitch pin from the axle.
- Slide the axle through the hole in the center of the wheel.
- Lift the machine and slide the combination into the wheel mounting hole in the machine base as shown.
- Push the hitch pin into the hole on the end of the axle to secure the wheel assembly.

NOTE: The hitch pin should be pushed into the axle until the center of the pin rests on top of the axle.

- Repeat with the second wheel.

INSTALLING THE TELESCOPING HANDLE

See Figure 3.

- Align the arrows on the U-shaped handle with the arrows on the back of the frame.
- Push and hold the button on the handle as you slide the handle into the holes in the frame.
- Lock the handle in place by aligning the slot in the handle lock cap with the pin on the housing bar. Next, push the handle lock cap down while turning the cap clockwise.

NOTE: Before use, pull the handle up until the lock button snaps through the locking slot to secure the handle in place.

ATTACHING DETERGENT INJECTION HOSE

See Figure 4.

Before detergent can be used with this machine, the detergent injection hose must be attached.

- Push the open end of the clear detergent injection hose securely over the fitting as shown.

NOTE: Keep injection hose away from hot surfaces.

- Place the filtered end of the hose in the bottle of detergent.

ASSEMBLING THE SPRAY WAND TO THE TRIGGER HANDLE

See Figure 5.

- Place the threaded end of the spray wand in the connector on the end of the trigger handle.
- Turn the connector clockwise until it stops. This secures the spray wand in place.
- When not in use, remove the spray wand from the trigger handle by turning the connector counterclockwise. When not in use, store each piece in the storage area on the sides of the pressure washer frame.

ASSEMBLY

CONNECTING HIGH PRESSURE HOSE TO TRIGGER HANDLE ASSEMBLY

See Figure 6.

- Screw the collar on the high pressure hose into the trigger handle's inlet coupler by turning the hose collar clockwise. Tighten securely.

NOTE: Be careful to avoid cross-threading, which can cause the trigger handle to leak during use.

- Pull on the hose to be certain it is properly secured.

CONNECTING THE HIGH PRESSURE HOSE TO THE PUMP

See Figure 7.

- Completely uncoil and straighten the high pressure hose to prevent kinks.

NOTE: See **Using The High Pressure Hose in Operation** for more information about using the high pressure hose.

- Align the collar on the threaded nipple on the pump.
- Insert the nozzle on the end of the high pressure hose collar into the threaded nipple.
- Turn the collar clockwise to tighten the hose securely to the pump.

NOTE: Be careful to avoid cross-threading, which can cause the hose to leak during use.

- Pull on the hose to be certain it is properly secured.

CONNECTING THE GARDEN HOSE TO THE PRESSURE WASHER

See Figure 8.

NOTICE:

Always observe all local regulations when connecting hoses to the water main. Some areas have restrictions against connecting directly to public drinking water supply to prevent the feedback of chemicals into the drinking water supply. Direct connection through a receiver tank or backflow preventer is usually permitted.

The water supply must come from a water main. NEVER use hot water or water from pools, lakes, etc. Before connecting the garden hose to the pressure washer:

- Run water through the hose for 30 seconds to clean any debris from the hose.
- Inspect the screen in the water intake.
- If the screen is damaged, do not use the machine until the screen has been replaced.
- If the screen is dirty, clean it before connecting the garden hose to the machine.

To connect the garden hose to the machine:

- Completely uncoil and straighten the high pressure hose to prevent kinks.

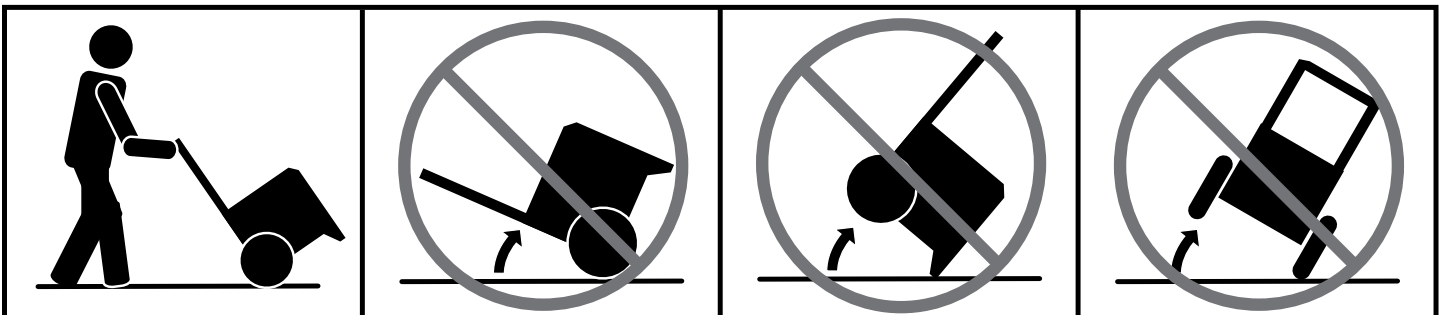
NOTE: There must be a minimum of 10 feet of unrestricted hose between the pressure washer intake and the hose faucet or shut off valve (such as a "Y" shut off connector).

- With the hose faucet turned completely off, attach the end of the garden hose to the water intake. Tighten by hand.

NOTICE:

Do not run the pressure washer pump without water supply connected and turned on, as this may damage the high pressure seals and decrease pump life. Completely unwind the hose from its reel or coil and make sure the hose is not being restricted by tires, rocks, or any other objects that may lessen or prevent water flow to the pressure washer.

DO NOT OVERTILT THE UNIT!



OPERATION

WARNING:

Do not allow familiarity with this product to make you careless. Remember that a careless fraction of a second is sufficient to inflict serious injury.

WARNING:

Always wear eye protection with side shields marked to comply with ANSI Z87.1. Failure to do so could result in objects being thrown into your eyes resulting in possible serious injury.

WARNING:

Do not use any attachments or accessories not recommended by the manufacturer of this product. The use of attachments or accessories not recommended can result in serious personal injury.

WARNING:

Never direct a water stream toward people or pets, or any electrical device. Failure to heed this warning could result in serious injury.

APPLICATIONS

You may use this tool around the house for cleaning most small to large horizontal or vertical exterior surfaces, smaller exterior objects and structures, and outdoor equipment and tools.* You can:

- Clean or remove mold and mildew from weathered decks, driveways, patios, walkways, sidewalks, etc.
- Remove dirt from various exterior vertical surfaces such as house exteriors, siding, fences, brick, concrete or stone walls, etc.
- Wash boats, outdoor furniture, powered or non-powered garden equipment, gutters, window screens, grills, playground equipment, etc.

**Always test in an inconspicuous area first.*

ADDING LUBRICANT TO THE ENGINE

See Figure 9.

NOTE: This machine has been shipped with approximately 2 oz. of lubricant in the engine from testing. **You must add lubricant to the engine before starting it the first time.**

NOTICE:

Any attempt to start the engine without adding lubricant will result in engine failure.

- Place pressure washer on a flat, level surface. Do not tilt.
- Unscrew the lubricant cap/dipstick by turning counter-clockwise.
- Using 4-stroke engine lubricant (SAE 30 or SAE 10W30), add engine lubricant until the fluid level rises to the upper portion of the hatched area on the dipstick (18 oz., 4-cycle engine lubricant provided). **Do not overfill.**
- Replace the lubricant cap/dipstick and securely tighten.

NOTICE:

Do not overfill. Overfilling the crankcase may cause excessive smoke and engine damage.

OXYGENATED FUELS

NOTICE:

Do not use E15 or E85 fuel (or fuel containing greater than 10% ethanol) in this product. It is a violation of federal law and will damage the unit and void your warranty.

Fuel system damage or performance problems resulting from the use of an oxygenated fuel containing more than the percentage of oxygenates stated below **are not covered under warranty.**

Ethanol. Gasoline containing up to 10% ethanol by volume (commonly referred to as E10) is acceptable. **E15 and E85 are not.**

OPERATION

ADDING GASOLINE TO THE FUEL TANK

See Figure 10.

WARNING:

Gasoline and its vapors are highly flammable and explosive. To prevent serious personal injury and property damage, handle gasoline with care. Keep away from ignition sources, handle outdoors only, do not smoke while adding fuel, and wipe up spills immediately.

When adding gas to the pressure washer, make sure the unit is sitting on a flat, level surface. If the engine is hot, let the pressure washer cool before adding gas. ALWAYS fill the fuel tank outdoors with the machine turned off.

NOTE: This is a 4-cycle engine. DO NOT mix fuel and lubricant together.

- Mix fuel stabilizer with gasoline according to fuel stabilizer manufacturer's directions.
- Before removing the fuel cap, clean the area around it. Remove the fuel cap.
- Insert a clean funnel into the fuel tank then slowly pour gasoline into the tank. Fill tank to approximately 1-1/2 in. below the top of the tank neck (this allows for fuel expansion).
- Replace fuel cap and tighten.
- Clean up any spills before starting the engine.

WARNING:

Always shut off engine before fueling. Never add fuel to a machine with a running or hot engine. Move at least 30 ft. from refueling site before starting engine. Do not smoke and stay away from open flames and sparks! Failure to follow these instructions could result in serious personal injury.

STARTING AND STOPPING THE PRESSURE WASHER

See Figures 11 - 12.

NOTICE:

Do not run the pressure washer pump without water supply connected and turned on, as this may damage the high pressure seals and decrease pump life. Completely unwind the hose from its reel or coil and make sure the hose is not being restricted by tires, rocks, or any other objects that may lessen or prevent water flow to the pressure washer.

Before starting the engine:

- Connect all hoses.
- Check all fluids (lubricant and gas).
- Turn on the garden hose then squeeze the trigger to relieve air pressure; hold the trigger until a steady stream of water appears.

NOTE: Make sure the faucet is turned on fully and that there are no kinks or leaks in the hose.

To start the engine:

- Push primer bulb 3 times.
NOTE: If starting the engine for the first time, push the primer bulb 5 times.
- Put the ON/OFF switch in the ON position.
- Grasp the recoil starter and pull slowly until resistance is felt. Give the recoil starter a short, brisk pull to start the engine.

NOTE: Do not allow the recoil starter to snap back after starting; return it gently to its original place.

NOTICE:

If the engine does not start after each pull of the recoil starter, squeeze the trigger to relieve water pressure before attempting to start the engine again.

To stop the engine:

- Put the **ON/OFF (I/O)** switch in the **OFF** position.
- Shut off the water supply and pull trigger to release water pressure.

WARNING:

While operating and storing, keep at least 3 feet of clearance on all sides of this product, including overhead. Allow a minimum of 30 minutes of "cool down" time before storage. Heat created by muffler and exhaust gases may be hot enough to cause serious burns and/or ignite combustible objects.

OPERATION

USING THE SPRAY WAND TRIGGER

See Figure 13.

For greater control and safety, keep both hands on the trigger handle at all times.

- Pull back and hold the trigger to operate the pressure washer.
- Release the trigger to stop the flow of water through the nozzle.

To engage the lock out:

- Push up on the lock out until it clicks into the slot.

To disengage the lock out:

- Push the lock out down and into its original position.

To use the spray wand, start with the nozzle 1-2 ft. away from the cleaning surface. Carefully approach the surface just until the desired level of cleaning is achieved. If the spray is too close it can damage the cleaning surface.

SELECTING THE RIGHT QUICK-CONNECT NOZZLE FOR THE JOB

See Figure 14.

Before starting any cleaning job, determine the best nozzle for the job. Each of the three nozzles has a different spray pattern. The nozzle patterns are: 0° (high pressure), 25° (medium pressure), and detergent (low pressure).

Nozzle	Application
0° Red	Spot cleaning of high, hard-to-reach areas <ul style="list-style-type: none">• Removing caked-on mud from heavy construction, farm, or lawn equipment• Cleaning tar, glue, or stubborn stains from concrete• Cleaning overhead areas• Removing rust from steel and oxidation from aluminum
25° Green	For general purpose or large surfaces <ul style="list-style-type: none">• General cleaning of dirt, mud, and grime• Cleaning roofs, gutters, and downspouts• Removing light mildew stains• Removing algae and bacteria build-up from pools• Rinsing surfaces in preparation for painting
Soap (Black)	For all detergent applications and for gentle rinse

NOTE: For a gentle rinse, select the detergent nozzle. Scouring the surface requires a more direct spray of water. Select the 0° nozzle for tough jobs. Apply detergent using the detergent nozzle.

WARNING:

NEVER change nozzles or spray patterns without locking the lock out on the trigger handle and NEVER point the wand at your face or at others. The quick-connect feature contains small springs that could eject the nozzle with some force. Failure to heed this may cause personal injury.

To connect a nozzle to the trigger handle:

- Turn off the pressure washer and shut off the water supply. **Pull trigger to release water pressure.**
- Engage the lock out on the trigger handle by pushing up on the lock out until it clicks into the slot.
- Pull back the quick-connect collar.
- Push the nozzle into place in the spray wand.
- Push the collar forward so that the nozzle is secured properly. Check to see that the nozzle is secure.

To disconnect a nozzle from the trigger handle once the cleaning job is complete:

- Turn off the pressure washer and shut off the water supply. **Pull trigger to release water pressure.**
- Engage the lock out on the trigger handle by pushing up on the lock out until it clicks into the slot.
- Remove the nozzle by placing hand over nozzle then pulling back the quick-connect collar. Place nozzle in the nozzle storage area on the top of the spray wand.

USING THE HIGH PRESSURE HOSE

The high pressure hose features an outer covering that provides strength to the hose. If the outer covering becomes damaged, the hose must be replaced immediately. **Do not use a high pressure hose if the outer covering is damaged.**

To prevent damage to the outer covering:

- Inspect the hose before every use.
- Fully unwrap and straighten hose before use.
- Do not allow the high pressure hose to be kinked.
- Keep hose away from hot surfaces and sharp edges.
- Do not pull unit by high pressure hose.
- Do not allow hose to be crushed or wrapped around objects.

OPERATION

MOVING THE PRESSURE WASHER

See Figure 15.

NOTE: Never lift or carry this product using the moving handle.

- Turn the pressure washer off.
- Standing at the back of the machine, grasp the handle firmly with both hands and pull the handle up until it locks into place with a “click”.
- Tilt the machine toward you slightly until it balances on the wheels then roll the machine to the desired position. Do not tilt forward or sideways when moving.
- DO NOT attempt to move the unit by pulling on any of the hoses.

WASHING WITH DETERGENT

See Figure 16.

Use only detergents designed for pressure washers; household detergents, acids, alkalines, bleaches, solvents, flammable material, or industrial grade solutions can damage the pump. Many detergents may require mixing prior to use. Prepare cleaning solution as instructed on the solution bottle. Always test in an inconspicuous area before beginning.

- Place the detergent injection hose in the bottom of the detergent bottle / container.
- Install the black nozzle on the spray wand.
- Squeeze the trigger and wait approximately 5 seconds for the detergent to appear.
- Spray the detergent on a dry surface using long, even, overlapping strokes. To prevent streaking, do not allow detergent to dry on the surface.

Before shutting off the engine:

- Place the detergent injection hose in a bucket of clean water.
- Flush for 1 -2 minutes (spray clear water through the spray wand).
- Shut off the engine.

NOTE: Shutting **OFF (O)** the engine will not relieve pressure in the system. **Pull trigger to release water pressure.**

RINSING WITH THE PRESSURE WASHER

- Turn off the pressure washer and shut off the water supply. Pull trigger to release water pressure.
- Engage the lock out on the wand by pushing up on the lock out until it clicks into the slot.
- Pull back and hold the collar.
- Remove the nozzle by pulling it from the collar.
- Select the right nozzle for the job:
 - Use lower pressure nozzle (green) to wash items such as a car or boat.
 - Use higher pressure nozzle for jobs such as stripping paint and degreasing the driveway. When using these nozzles, test a small area first to avoid surface damage.
- Start at the top of the area to be rinsed and work down, overlapping the strokes.

HIGH ALTITUDE OPERATION

Specific modifications are needed for high-altitude operation. Please contact your authorized service center for important information regarding these modifications. Operating this engine without the proper altitude modification may increase the engine's emissions and decrease fuel economy and performance.

MAINTENANCE

WARNING:

When servicing, use only identical replacement parts. Use of any other parts could create a hazard or cause product damage.

WARNING:

Always wear eye protection with side shields marked to comply with ANSI Z87.1. Failure to do so could result in objects being thrown into your eyes resulting in possible serious injury.

WARNING:

Before inspecting, cleaning or servicing the machine, shut off engine, wait for all moving parts to stop, and disconnect spark plug wire and move it away from spark plug. Failure to follow these instructions can result in serious personal injury or property damage.

GENERAL MAINTENANCE

Avoid using solvents when cleaning plastic parts. Most plastics are susceptible to damage from various types of commercial solvents and may be damaged by their use. Use clean cloths to remove dirt, dust, lubricant, grease, etc.

WARNING:

Do not at any time let brake fluids, gasoline, petroleum-based products, penetrating lubricants, etc., come in contact with plastic parts. Chemicals can damage, weaken or destroy plastic which could result in serious personal injury.

Only the parts shown on the parts list are intended to be repaired or replaced by the customer. All other parts should be replaced at an authorized service center.

Before running the engine, perform the following pre-operation steps:

- Check that all bolts, nuts, etc., are securely tightened.
- Make sure the air filter is clean.
- Check both the engine lubricant level and the fuel tank level; refill as needed.
- Inspect the work area for hazards.
- If there is excessive noise or vibration, stop the unit immediately.

CLEANING THE AIR FILTER

See Figure 17.

A dirty air filter will cause starting difficulty, loss of performance, and shorten the life span of the engine. Check the air filter monthly. For best performance, replace the air filter at least once a year.

NOTE: DO NOT remove the shroud as you could disconnect or loosen the wire connecting the **OFF** switch to the engine making it inoperable.

- Press in on the latch to open the cover.
- Remove the air filter cover.
- Lift the edge of the air filter carefully and pull it out.
- Wash the air filter with warm, soapy water.
- Rinse and squeeze to dry.
- Put small amount of engine lubricant (SAE 30) on the filter sponge. Squeeze out the excess lubricant then reinstall the air filter.

NOTE: Make sure the filter is seated properly inside the cover. Installing the filter incorrectly will allow dirt to enter the engine, causing rapid engine wear.

- To reinstall the air filter cover, insert the tabs into the notches. Close the cover and push the latch until it snaps into place.

NOZZLE MAINTENANCE

See Figure 18.

Excessive pump pressure (a pulsing sensation felt while squeezing the trigger) may be the result of a clogged or dirty nozzle.

- Turn off the pressure washer and shut off the water supply. Pull trigger to release water pressure.
- Remove the nozzle from the spray wand.
NOTE: Never point the spray wand at your face.
- Using a straightened paper clip or nozzle cleaning tool (not provided), free any foreign materials clogging or restricting the nozzle.
- Using a garden hose, flush debris out of nozzle by back flushing (running the water through the nozzle backwards or from the outside to the inside).
- Reconnect the nozzle to the spray wand.
- Turn on the water supply and start the engine.

CHECKING SPARK PLUG

See Figure 19.

- Clean the area around the base of the spark plug before removing to keep dirt and debris out of the engine. Remove spark plug.
- Clean off carbon deposits on the spark plug electrode using a plug cleaner or wire brush. Replace the plug if worn. For replacement spark plug, see **Product Specifications** earlier in this manual or the accompanying engine manual, if applicable.
- Check electrode gap. The gap should be .028 in. - .031 in. (0.70- 0.80 mm). Adjust the gap, if necessary, by carefully bending the ground electrode.
- Reinstall spark plug. Tighten securely.

MAINTENANCE

CHANGING ENGINE LUBRICANT

See Figure 20.

- Shut off the engine.
- Clean the area around the lubricant drain plug, then remove the plug.
- Tilt the pressure washer on its side as shown. Drain lubricant into approved container.
NOTE: Drain the lubricant while the engine is still warm but not hot. Warm lubricant will drain quickly and more completely.
- After the crankcase is completely drained, return the pressure washer to an upright position.
- Replace the lubricant drain plug.
- Fill with lubricant following the instructions in **Adding Lubricant To The Engine** earlier in this manual. For amount of lubricant needed to refill, see **Product Specifications** earlier in this manual or the accompanying engine manual, if applicable.

NOTE: Consult hazardous waste management guidelines in your area for the proper way to dispose of used lubricant.

PUMP LUBRICATION

The pump on this product was lubricated with a sufficient amount of high grade lubricant for the life of the unit under normal operating conditions. Therefore, no further lubrication is required.

STORING THE PRESSURE WASHER

See Figure 21.

NOTE: Regular use of fuel stabilizer and pump protector will give you better performance of the unit and increase the life of the pump. See the Replacement Parts List for available sizes and part numbers of these items and call customer service to order.

Allow 30 minutes of “cool down” time before storing the machine. Store in a dry, covered area where the weather can’t damage it.

It is important to store this product in a frost-free area. Always empty water from all hoses, the pump, and the detergent bucket before storing.

- Drain the fuel tank completely by running the pressure washer until the gas runs out. Stored gas can go stale in 30 days.

NOTE: Make sure the water supply is connected and turned on when allowing the pressure washer engine to run.

- Make sure the on/off switch and fuel valve are in the OFF position.
- Disconnect the water connection.
- Empty the pump by pulling on the starter grip and rope about 6 times. This should remove most of the liquid from the pump.

NOTICE:

The use of a pump protector is strongly recommended after each use and before storing to prevent cold weather and seal damage during storage.

- Drain the lubricant and replace with fresh, clean lubricant as described in the engine manual.
- Disconnect spark plug wire and remove the spark plug. Pour about a teaspoon of clean, air-cooled, four-cycle oil through the spark plug hole into the combustion chamber.
- Leaving the spark plug out, pull the starter cord two or three times to coat the inside of the cylinder wall.
- Inspect the spark plug and clean or replace, as necessary.
- Reinstall the spark plug, but leave the spark plug wire disconnected.
- Clean the air filter.
- Extend the recoil starter rope to check its condition. If the rope is frayed, have it replaced immediately by an authorized service center.
- Remove all hoses. Coil the hoses and store as shown. Do not allow the hose to become kinked.
- Store the unit and accessories in an area that does not reach freezing temperatures. Do not store near furnace or other sources of heat that could dry out the pump seals.

PREPARING FOR USE AFTER STORAGE

- Pull the recoil starter three or four times to clean lubricant from the combustion chamber.
- Remove spark plug from the cylinder. Wipe lubricant from the spark plug and return it to the cylinder.
- Reconnect the spark plug wire.
- Refuel the machine as described earlier in the operator’s manual.

MAINTENANCE

PERIODIC MAINTENANCE SCHEDULE

Maintenance Items Perform at every indicated month or operating hour interval, whichever comes first	Before Each Use	First month or 5 hours	Every 3 months or 25 hours	Every 6 months or 50 hours	Every Year or 100 hours	Every 2 years or 250 hours
Check and refill engine lubricant	•					
Change engine lubricant *		•		•		
Check air filter	•					
Clean air filter			•			
Replace air filter						•
Check and adjust spark plug					•	
Replace spark plug						•

*Change engine oil every 25 hours when used under heavy load or in high ambient temperature. Dispose of waste lubricant safely and responsibly. Do not pour into sewage drains, onto garden soil or into open streams. Your local zoning or environmental regulations will give you more detailed instructions on proper disposal.

Maintenance items not listed here should be performed by a service center.

TROUBLESHOOTING

PROBLEM	CAUSE	SOLUTION
Engine fails to start	No fuel in tank	Fill tank
	Spark plug shorted or fouled	Replace spark plug
	Spark plug is broken (cracked porcelain or electrodes broken)	Replace spark plug
	Ignition lead wire shorted, broken, or disconnected from spark plug	Replace lead wire or attach to spark plug
	Ignition inoperative	Contact authorized service center
Engine hard to start	Unit is not primed	Press the primer bulb 3 times (5 times if starting for the first time)
	Water in gasoline	Drain entire system and refill with fresh fuel
Engine lacks power	Weak spark at spark plug	Contact authorized service center
Engine lacks power	Dirty air filter	Clean or replace air filter
Detergent fails to mix with spray	Detergent injection hose is not properly submerged	Insert injection hose into detergent storage bucket
	High pressure nozzle attached	Use low pressure nozzle (black) to apply detergent
Pump doesn't produce pressure	Low pressure nozzle installed	Replace with high pressure nozzle
	Inadequate water supply	Provide adequate water flow
	Spray wand leaks	Check connections and/or replace wand
	Nozzle is clogged	Clean nozzle
	Pump is faulty	Contact authorized service center
	Air in line	Squeeze trigger on trigger handle to remove air from line
	Hose is leaking	Replace hose
Kink in hose	Eliminate kinks in hose	
Machine doesn't reach high pressure	Diameter of garden hose is too small	Replace with 3/4 in. garden hose
	Water supply is restricted	Check garden hose for kinks, leaks, and blockages
	Not enough inlet water	Open water source full force
	Wrong nozzle is attached	Attach the high pressure nozzle

WARRANTY

LIMITED NON-ENGINE WARRANTY STATEMENT

Homelite Consumer Products, Inc., (“Homelite”) warrants to the original retail purchaser that this HOMELITE brand pressure washer is free from defect in material and workmanship and agrees to repair or replace, at Homelite’s discretion, any defective product free of charge within these time periods from the date of purchase.

- Two years if the product is used for personal, family or household use;
- 90 days, if any of the above products are used for any other purpose, such as commercial or rental.

This warranty extends to the original retail purchaser only and commences on the date of the original retail purchase.

Any part of the this product manufactured or supplied by Homelite and found in the reasonable judgment of Homelite to be defective in material or workmanship will be repaired or replaced without charge for parts and labor by a Homelite Authorized Service Center.

The product, including any defective part, must be returned to a Homelite Authorized Service Center within the warranty period. The expense of delivering the product to the service center for warranty work and the expense of returning it back to the owner after repair or replacement will be paid by the owner. Homelite’s responsibility in respect to claims is limited to making the required repairs or replacements and no claim of breach of warranty shall be cause for cancellation or rescission of the contract of sale of any HOMELITE brand product. Proof of purchase will be required to substantiate any warranty claim. All warranty work must be performed by a Homelite Authorized Service Center.

This warranty does not cover any product that has been subject to misuse, neglect, negligence, or accident, or that has been operated in any way contrary to the operating instructions as specified in the operator’s manual. This warranty does not apply to any damage to the product that is the result of improper maintenance or to any product that has been altered or modified so as to adversely affect the product’s operation, performance or durability or that has been altered or modified so as to change its intended use. The warranty does not extend to repairs made necessary by normal wear or by the use of parts or accessories which are either incompatible with the HOMELITE brand pressure washer or adversely affect its operation, performance or durability.

In addition, this warranty does not cover:

- A. Tune-ups – Air filters, gas filters, spark plugs
- B. Wear items – Hoses, connector fittings, spray nozzles, wheels, spray wand, detergent bucket, detergent tank

Homelite reserves the right to change or improve the design of any HOMELITE brand pressure washer without assuming any obligation to modify any product previously manufactured.

ALL IMPLIED WARRANTIES ARE LIMITED IN DURATION TO THE STATED WARRANTY PERIOD. ACCORDINGLY, ANY SUCH IMPLIED WARRANTIES INCLUDING MERCHANTABILITY, FITNESS FOR A PARTICULAR PURPOSE, OR OTHERWISE, ARE DISCLAIMED IN THEIR ENTIRETY AFTER THE EXPIRATION OF THE STATED TWO YEAR OR 90-DAY EXPRESS WARRANTY PERIOD. HOMELITE CONSUMER PRODUCTS’ OBLIGATION UNDER THIS WARRANTY IS STRICTLY AND EXCLUSIVELY LIMITED TO THE REPAIR OR REPLACEMENT OF DEFECTIVE PARTS AND HOMELITE DOES NOT ASSUME OR AUTHORIZE ANYONE TO ASSUME FOR THEM ANY OTHER OBLIGATION. SOME STATES DO NOT ALLOW LIMITATIONS ON HOW LONG AN IMPLIED WARRANTY LASTS, SO THE ABOVE LIMITATION MAY NOT APPLY TO YOU. ASSUMES NO RESPONSIBILITY FOR INCIDENTAL, CONSEQUENTIAL OR OTHER DAMAGES INCLUDING, BUT NOT LIMITED TO EXPENSE OF RETURNING THE PRODUCT TO AN AUTHORIZED HOMELITE SERVICE CENTER AND EXPENSE OF DELIVERING IT BACK TO THE OWNER, MECHANIC’S TRAVEL TIME, TELEPHONE OR TELEGRAM CHARGES, RENTAL OF A LIKE PRODUCT DURING THE TIME WARRANTY SERVICE IS BEING PERFORMED, TRAVEL, LOSS OR DAMAGE TO PERSONAL PROPERTY, LOSS OF REVENUE, LOSS OF USE OF THE PRODUCT, LOSS OF TIME, OR INCONVENIENCE, SOME STATES DO NOT ALLOW THE EXCLUSION OR LIMITATION OF INCIDENTAL OR CONSEQUENTIAL DAMAGES, SO THE ABOVE LIMITATION OR EXCLUSION MAY NOT APPLY TO YOU.

This warranty gives you specific legal rights, and you may also have other rights which vary from state to state.

This warranty applies to all HOMELITE brand pressure washer distributed by Homelite Consumer Products, Inc., and sold in the United States, Mexico, and Canada.

To locate your nearest Homelite Authorized Service Center, dial 1-800-242-4672 or log on to our website at www.homelite.com.

WARRANTY

EPA EMISSION CONTROL WARRANTY STATEMENT YOUR WARRANTY RIGHTS AND OBLIGATIONS

The United States Environmental Protection Agency (EPA), together with Chongqing Dajiang Power Equipment Co., Ltd (herein "Dajiang"), are pleased to explain the Emission Control System Warranty on your new small off-road engine. New small off-road engines must be designed, built and equipped to meet stringent anti-smog standards for the federal government. Dajiang will warrant the emission control system on your engine for the periods of time listed below provided there has been no abuse, neglect, unapproved modification or improper maintenance of your engine.

Your emission control system may include parts such as the carburetor, ignition, intake and exhaust systems. Dajiang will repair your engine at no cost to you for diagnosis, replacement parts and labor, should a warrantable condition occur.

MANUFACTURER'S EMISSION CONTROL SYSTEM WARRANTY COVERAGE:

Emission control system on 2011 and later model year engines are warranted for two years as hereinafter noted. If, during such warranty period, any emission-related component or system on your engine is found to be defective in materials or workmanship, repairs or replacement will be performed by a Dajiang. Authorized Warranty Service Facility.

PURCHASER'S/OWNER'S WARRANTY RESPONSIBILITIES:

As the small off-road engine purchaser/owner, you are responsible for the completion of all required maintenance as listed in your factory supplied Owner's Manual. For warranty purposes, Dajiang recommends that you retain all receipts covering maintenance on your engine. However, Dajiang cannot deny warranty solely because of the lack of receipts or for your failure to ensure the completion of all scheduled maintenance.

As the small off-road engine purchaser/owner, you should, however, be aware that Dajiang may deny any and/or all warranty coverage or responsibility if your engine, or a part/component thereof, has failed due to abuse, neglect, improper maintenance or unapproved modifications, or the use of counterfeit and/or "grey market" parts not made, supplied or approved by Dajiang.

You are responsible for presenting your engine to a Dajiang Authorized Warranty Service Facility as soon as a problem occurs. The warranty repairs should be completed in a reasonable amount of time, not to exceed 30 days.

Warranty service can be arranged by contacting either your selling dealer or a Dajiang Authorized Warranty Service Facility.

IMPORTANT NOTE: This warranty statement explains your rights and obligations under the Emission Control System Warranty (ECS Warranty), which is provided to you by Dajiang pursuant to federal law. The ECS Warranty applies only to the emission control system of your new engine. If there is any conflict in terms between the ECS Warranty and the Dajiang Warranty, the ECS Warranty shall apply except in circumstances where the Dajiang Warranty may provide a longer warranty period. Both the ECS Warranty and the Dajiang Warranty describe important rights and obligations with respect to your new engine.

Warranty service can be performed only by a Dajiang Authorized Warranty Service Facility. When requesting warranty service, evidence must be presented showing the date of the sale to the original purchaser/owner. The purchaser/owner shall be responsible for any expenses or other charges incurred for service calls and/or transportation of the product to/from the inspection or repair facilities. The purchaser/owner shall also be responsible for any and/or all damages or losses incurred while the engine is being transported/shipped for inspection or warranty repairs.

IF YOU HAVE ANY QUESTIONS REGARDING YOUR WARRANTY RIGHTS AND RESPONSIBILITIES, YOU SHOULD CONTACT DAJIANG OR ITS AGENCY at 1-877-NA-DUCAR (1-877-623-8227).

EMISSION CONTROL SYSTEM WARRANTY

Emission Control System Warranty (ECS Warranty) for 2011 and later model engines:

- (a) **Applicability:** This warranty shall apply to 2011 and later model year engines. The ECS Warranty Period shall begin on the date the new engine or equipment is purchased by/delivered to its original, end-use purchaser/owner and shall continue for 24 consecutive months thereafter.
- (b) **General Emissions Warranty Coverage:** Dajiang warrants to the original, end-use purchaser/owner of the new engine or equipment and to each subsequent purchaser/owner that each of its engines is:
 - (1) Designed, built and equipped so as to conform with all applicable regulations adopted by the EPA pursuant to its respective authority, and
 - (2) Free from defects in materials and workmanship which, at any time during the ECS Warranty Period, may cause a warranted emissions-related part to fail to be identical in all material respects to the part as described in the engine manufacturer's application for certification.

The ECS Warranty only pertains to emissions-related parts on your engine, as follows:

- (1) Any warranted, emissions-related parts that are not scheduled for replacement as required maintenance in the Owner's Manual shall be warranted for the ECS Warranty Period. If any such part fails during the ECS Warranty Period, it shall be repaired or replaced by Dajiang according to Subsection (4) below. Any such pardified, counterfeit and/or "grey market" part.

EMISSION RELATED PARTS INCLUDE THE FOLLOWING:

- 1) Fuel Metering System:
 - a) Gasoline carburetor assembly and its internal components.
 - b) Fuel filter (if so equipped)
 - c) Carburetor gaskets
 - d) Fuel pump (if so equipped)
- 2) Air Induction System including:
 - a) Intake pipe/manifold
 - b) Air cleaner
- 3) Ignition System including:
 - a) Spark plug
 - b) Ignition module/coil
- 4) Muffler Assembly (if so equipped) including:
 - a) Muffler gasket
 - b) Exhaust manifold
- 5) Evaporation Systems
 - a) Fuel lines
 - b) Fuel line fittings
 - c) Carbon canister
 - d) Canister mounting brackets
 - e) Carburetor purge port connector
 - f) Fuel tank
 - g) Fuel cap
 - h) Clamps
- 6) Miscellaneous including:
 - a) Hoses, belts and connectors

INSTRUCTIONS IMPORTANTES CONCERNANT LA SÉCURITÉ

AVERTISSEMENT :

Lire attentivement toutes les instructions. Le non-respect de toutes les instructions ci-dessous peut entraîner un choc électrique, un incendie et/ou une intoxication par le monoxyde de carbone, ce qui peut causer des blessures graves voire la mort.

LIRE TOUTES LES INSTRUCTIONS




- **Apprendre à connaître l'outil.** Lire attentivement le manuel d'utilisation. Apprendre les applications et les limites de l'outil, ainsi que les risques spécifiques relatifs à son utilisation.
- **Maintenir tous les dispositifs de protection en place** et en bon état de fonctionnement. Ne jamais utiliser l'outil avec des couvercles ou dispositifs de protection retirés. S'assurer que tous les dispositifs de protection fonctionnent correctement avant chaque utilisation.
- **Retirer les clés et outils de réglage.** Prendre l'habitude de vérifier que tous les outils et clés de réglage en ont été retirés de l'outil avant de le mettre en marche.
- **Pour réduire les risques de blessures,** garder les enfants et visiteurs à l'écart. Tous les visiteurs doivent porter des lunettes de sécurité et se tenir à bonne distance de la zone de travail.
- **Ne laisser personne approcher la zone de travail,** particulièrement les petits enfants et les animaux domestiques.
- **Ne pas démarrer ou faire tourner le moteur dans un espace confiné, de bâtiment, à proximité des fenêtres ouverts, autre ou des zones sans ventilation** où des vapeurs toxiques de monoxyde de carbone peuvent s'accumuler. Le monoxyde de carbone, un gaz incolore, inodore et extrêmement toxique peut causer une perte de conscience et être mortel.
- **Utiliser l'outil approprié.** Ne pas utiliser l'outil ou un accessoire pour effectuer un travail pour lequel il n'est pas conçu. Ne pas utiliser l'outil pour une application non prévue.
- **Porter une tenue appropriée.** Ne pas porter de vêtements amples, gants, cravate ou bijoux. Ces articles pourraient être happés et tirer la main ou une partie du corps dans les pièces en mouvement. Des gants en caoutchouc et des chaussures antidérapantes sont recommandées pour le travail à l'extérieur. Les cheveux longs doivent être ramassés sous un couvre-chef.
- **Ne pas faire fonctionner l'équipement pied-nu ou en portant des sandales ou des chaussures légères similaires.** Porter des chaussures de sécurité protégeant les pieds et améliorant l'équilibre sur des surfaces glissantes.
- **Faire preuve de prudence pour éviter de glisser ou tomber.**
- **Toujours porter une protection oculaire avec écrans latéraux certifiée conforme à la norme ANSI Z87.1.** Le respect de cette règle réduira les risques de blessures graves.
- **Ne pas travailler hors de portée ou se tenir sur une surface instable.** Toujours se tenir bien campé et en équilibre.
- **N'utiliser que les accessoires recommandés.** L'emploi de tout accessoire inadapté peut présenter un risque de blessure.
- **Suivre les instructions d'entretien spécifiées dans ce manuel.**
- **Vérifier l'état des pièces.** Avant d'utiliser l'outil de nouveau examiner soigneusement les pièces et dispositifs de protection qui semblent endommagés afin de déterminer s'ils fonctionnent correctement et s'ils remplissent les fonctions prévues. Vérifier l'alignement des pièces mobiles, s'assurer qu'aucune pièce n'est bloquée ou cassée, vérifier la fixation de chaque pièce et s'assurer qu'aucun autre problème ne risque d'affecter le bon fonctionnement de l'outil. Pour éviter les risques de blessures, toute protection ou pièce endommagée doit être correctement réparée ou remplacée dans un centre de réparations agréé.
- **Ne jamais laisser un outil en fonctionnement sans surveillance.** Ne pas s'éloigner de l'outil avant qu'il soit parvenu à un arrêt complet.
- **Garder le moteur dépourvu d'herbe, feuilles ou graisse** pour réduire le risque d'incendie.
- **Garder le tuyau d'échappement propre et exempt de débris.**
- **Suivre les recommandations du fabricant pour assurer la sécurité de chargement, déchargement, transport et remisage de la machine.**
- **Se familiariser complètement avec les commandes.** Veiller à savoir arrêter la machine et relâcher la pression rapidement.
- **Garder l'outil sec, propre et exempt d'huile ou de graisse.** Toujours utiliser un chiffon propre pour le nettoyage. Ne jamais utiliser de liquide de freins, d'essence ou de produits à base de pétrole pour nettoyer l'outil.
- **Rester vigilant et garder le contrôle.** Se montrer attentif et faire preuve de bon sens. Ne pas utiliser l'outil en état de fatigue. Ne pas se presser.
- **Ne pas utiliser cet outil sous l'influence de l'alcool, de drogues ou de médicaments.**
- **Examiner la zone de travail avant chaque utilisation.** La débarrasser de tous les objets tels que cailloux, verre brisé, clous, fils métalliques, cordes, etc. risquant d'être projetés ou de se prendre dans la machine.
- **Ne pas utiliser l'outil si le commutateur ne permet pas de l'arrêter.** Faire remplacer les commutateurs défectueux dans un centre de réparations agréé.
- **Avant de nettoyer, réparer ou inspecter,** couper le moteur et vérifier que toutes les pièces en mouvement sont arrêtées. Déconnecter le fil de bougie et garder le fil à l'écart de la bougie afin d'empêcher un démarrage accidentel.
- **Éviter les environnements dangereux.** Ne pas utiliser dans des endroits mouillés ou humides, ne pas exposer à la pluie. Garder le lieu de travail bien éclairé.
- **Ne jamais utiliser dans une atmosphère explosive.** Les étincelles normalement produites par le moteur pourraient enflammer les vapeurs.
- **Ne jamais utiliser en fumant ou à côté d'une flamme vive.**
- **Ne pas utiliser à proximité de** buissons secs, brindilles, chiffons ou autres matériaux inflammables.
- **AVERTISSEMENT : Risque d'injection ou de blessures** – ne pas diriger le jet directement vers quelqu'un.

RÈGLES DE SÉCURITÉ PARTICULIÈRES










- **Se montrer prudent lorsque l'on installe le nettoyeur haute pression pour son utilisation.** L'air chaud du moteur peut causer des zones de décoloration sur l'herbe.
- **Ne jamais diriger le jet d'eau vers des personnes, animaux domestiques ou dispositifs électriques.**
- **Avant de commencer toute opération de nettoyage,** fermer les portes et fenêtres. Débarrasser la zone à nettoyer de débris, jouets, meuble de jardin ou autres objets pouvant créer un danger.
- **Ne jamais ramasser ni porter la machine lorsque le moteur tourne.**
- **Ne jamais mettre la machine en marche** si de la glace s'est formée sur quelque partie que ce soit.
- **Ne pas utiliser de produits acides ou alcalins, de solvants, de matières inflammables ou de solutions de qualité industrielle** dans ce produit. Ces produits peuvent causer des blessures de l'opérateur et des dommages irréversibles de l'équipement.
- **Toujours utiliser la machine** sur une surface plane. Si le moteur est incliné, il peut se gripper à cause d'un graissage insuffisant (même au niveau maximum d'huile).
- **AVERTISSEMENT : Les jets à haute pression peuvent être dangereux s'ils sont utilisés incorrectement.** Le jet ne doit pas être dirigé vers des personnes, animaux, dispositifs électriques ou l'équipement lui-même.
- **Tenir la poignée et la lance fermement des deux mains.** L'utilisateur doit s'attendre à ce qu'en raison de la force de réaction, la poignée bouge lorsqu'il appuie sur la gâchette. Ne pas tenir compte de ce fait peut entraîner une perte de contrôle et entraîner des blessures pour lui et son entourage.
- **Ne jamais essayer de faire des réglages pendant que le moteur tourne** (sauf en cas de recommandations spécifiques du fabricant).
- **Les dispositifs de protection doivent toujours couvrir des pièces en rotation quand le moteur tourne.**
- **Garder l'entrée d'air** (lanceur à rappel) et le côté échappement du moteur au à au moins 3 pi (914 mm) des structures, obstacles et autres objets combustibles.
- **Garder le moteur à l'écart des articles inflammables et autres matières dangereuses.**
- **Rester à l'écart des pièces brûlantes.** L'échappement et d'autres pièces de moteur deviennent brûlantes, se montrer prudent.
- **Ne toucher ni la bougie, ni le câble d'allumage** lors du démarrage et du fonctionnement du moteur.
- **Vérifier le serrage des flexibles et raccords de carburant** et s'assurer de l'absence de fuites avant chaque utilisation.
- **Vérifier le serrage de la boulonnerie** avant chaque utilisation. Un boulon ou écrou desserré peut causer de sérieux problèmes de moteur.
- **Toujours effectuer l'approvisionnement en carburant à l'extérieur.** Ne jamais refaire le plein en intérieur ou dans un endroit insuffisamment ventilé.
- **Ne jamais remiser la machine avec du carburant dans le réservoir de carburant dans un local** où des sources d'allumage, telles que radiateurs à gaz et à eau chaude, les séchoirs à vêtements, etc., sont présentes.
- **Si le réservoir de carburant doit être vidé, le faire à l'extérieur.**
- **Manipuler le carburant avec précaution** pour éviter les risques d'incendies et de brûlures. Le carburant est extrêmement inflammable.
- **Ne pas fumer pendant la manipulation du carburant.**
- **Faire l'appoint de carburant avant de lancer le moteur.** Ne jamais retirer le couvercle du réservoir de carburant ni ajouter du carburant pendant que le moteur tourne ou quand le moteur est chaud.
- **Desserrer le bouchon du réservoir** lentement pour relâcher la pression et éviter que le carburant s'échappe.
- **Remettre en place tous les bouchons de conteneur et de réservoir de carburant et les serrer fermement.**
- **Essuyer tout le carburant éventuellement répandu.** S'éloigner de 9 m (30 pi) du point d'approvisionnement avant de lancer le moteur.
- **Si du carburant est renversé,** ne pas essayer de démarrer le moteur mais éloigner la machine de l'endroit et éviter de créer une source d'inflammation jusqu'à ce que les vapeurs de carburant se soient dissipées.
- **N'essayer en aucun cas de brûler le carburant répandu.**
- **Laisser le moteur refroidir et vidanger le carburant avant de remiser l'outil.**
- **Remiser le carburant dans un endroit frais, bien aéré, à l'écart d'étincelle et/ou d'appareils produisant des flammes.**
- **Conserver le carburant dans** des jerrycans spécialement conçus à cet effet.
- **Pour le transport sur ou dans un véhicule,** le réservoir doit être vide et la machine bien arrimée.
- **Utiliser exclusivement des pièces identiques à celles d'origine pour les réparations.** L'usage de toute autre pièce pourrait créer une situation dangereuse ou endommager l'outil.
- **Ce produit est conçu pour fonctionner uniquement à l'eau froide.**
- **Veiller à garder une distance d'au moins 914 mm (3 pi) des matériaux combustibles.**
- **Ne jamais la pulvérisation proche à la surface** être nettoyée comme vous pouvez endommager la surface.
- **Après avoir arrêté le moteur, toujours presser la gâchette de la poignée à gâchette afin de libérer la pression retenue dans le tuyau haute pression.** Le non-respect de cet avertissement pourrait entraîner des blessures graves.
- **Pour l'utilisation à l'extérieur seulement.**
- **S'assurer que le tuyau flexible haute pression est branché correctement avant d'utiliser le produit.**
- **Conserver ces instructions.** Les consulter fréquemment et les utiliser pour instruire d'autres utilisateurs. Si cet outil est prêt, il doit être accompagné de ces instructions.

SYMBOLES

Les termes de mise en garde suivants et leur signification ont pour but d'expliquer le degré de risques associé à l'utilisation de ce produit.

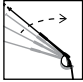


SYMBOLE	SIGNAL	SIGNIFICATION
	DANGER :	Indique une situation extrêmement dangereuse qui, si elle n'est pas évitée, aura pour conséquences des blessures graves, voire mortelles.
	AVERTISSEMENT :	Indique une situation potentiellement dangereuse qui, si elle n'est pas évitée, aura pour conséquences des blessures graves ou mortelles.
	ATTENTION :	Indique une situation potentiellement dangereuse qui, si elle n'est pas évitée, pourrait entraîner des blessures légères ou de gravité modérée.
	AVIS :	(Sans symbole d'alerte de sécurité) Indique une information importante ne concernant pas un risque de blessure comme une situation pouvant occasionner des dommages matériels.

Certains des symboles ci-dessous peuvent être présents sur l'outil. Veiller à les étudier et à apprendre leur signification. Une interprétation correcte de ces symboles permettra d'utiliser l'outil plus efficacement et de réduire les risques.

SYMBOLE	NOM	DÉSIGNATION / EXPLICATION
	Symbole d'alerte de sécurité	Indique un risque de blessure potentiel.
	Lire manuel d'utilisation	Pour réduire les risques de blessures, l'utilisateur doit lire et veiller à bien comprendre le manuel d'utilisation avant d'utiliser ce produit.
	Protection oculaire	Toujours porter une protection oculaire certifiée conforme à la norme ANSI Z87.1.
	Avertissement concernant l'humidité	Ne pas exposer à la pluie ou l'humidité.
	Surface brûlante	Pour réduire les risques de blessures ou de dommages, éviter tout contact avec les surfaces brûlantes.
	Risque d'injection	Pour réduire les risques d'injection ou de blessures, ne jamais diriger le jet directement vers des enfants ou animaux domestiques et ne placer aucune partie du corps sur la trajectoire du jet. Les fuites aux flexibles et raccords peuvent également entraîner des blessures. Ne pas tenir des flexibles ou raccords.
	Risque d'explosion	Le carburant et ses vapeurs sont explosifs et peuvent entraîner des brûlures graves ou mortelles.
	Risque d'incendie	Le carburant et ses vapeurs sont extrêmement inflammables et explosifs. Le feu peut entraîner des brûlures graves ou mortelles.
	Vapeurs toxiques	Les dérivés du pétrole dégagent du monoxyde de carbone, un gaz toxique inodore et incolore. L'inhalation du monoxyde de carbone peut entraîner des nausées, des évanouissements ou être mortelle.

SYMBOLES

Certains des symboles ci-dessous peuvent être présents sur l'outil. Veiller à les étudier et à apprendre leur signification. Une interprétation correcte de ces symboles permettra d'utiliser l'outil plus efficacement et de réduire les risques.

SYMBOLE	NOM	DÉSIGNATION / EXPLICATION
	Rebond	Pour réduire le risque de blessure suite à un rebond, tenir la lance fermement à deux mains lorsque la machine est en fonctionnement.
	Choc électrique	Ne pas utiliser la machine dans un endroit sec ou ne pas respecter les pratiques de sécurité peut entraîner un choc électrique.
	Brûlures chimiques	Pour réduire les risques de blessures ou de dommages matériels, NE PAS UTILISER DE PRODUITS ACIDES, ALCALINS OU JAVÉLISÉS, NI DE SUBSTANCES INFLAMMABLES OU DE SOLUTIONS DE QUALITÉ INDUSTRIELLE dans ce produit.

CARACTÉRISTIQUES

CARACTÉRISTIQUES DE PRODUIT

Contenance du réservoir de carburant	0,95 litres (0,25 gal)
Volume de remplissage d'huile.....	473 à 532 ml (16 à 18 oz)
Bougie de remplacement	F6TC ou l'équivalent
Pression maximum en livres par pouce carré*	2200 psi
Débit maximum par minute*	7,57 LPM (2,0 gpm)
Température maximum d'eau d'arrivée.....	40 °C (104 °F)

*Max rating determined by PWMA Standard 101

APPRENDRE À CONNAÎTRE LE NETTOYEUR HAUTE PRESSION

Voir la figure 1.

La sécurité d'utilisation de ce produit exige la compréhension des informations apposées sur le produit et contenues dans ce manuel d'utilisation, ainsi que la connaissance du travail à exécuter. Avant d'utiliser ce produit, se familiariser avec toutes ses fonctions et règles de sécurité.

RÉSERVOIR DE CARBURANT

La contenance maximum de ce réservoir de carburant est de 0,95 litres (0,25 gal). Utiliser de l'essence sans plomb.

RANGEMENT DE FLEXIBLES

Une fois le tuyau haute pression enroulé, l'accrocher sur le dos de la machine utilisant l'allongement sangle pour obtenir à sa place.

COMMUTATEUR D'ARRÊT ET DÉMARRAGE

Pour éteindre le moteur, appuyer sur l'interrupteur ON/OFF (marche/arrêt).

POIGNÉE DU LANCEUR ET CORDE

Tirer sur le lanceur pour mettre le moteur en marche.

SOUPAPE DE SUPPRESSION THERMIQUE

Ce dispositif de la pompe empêche que la température de l'eau atteigne un niveau dangereux en relâchant une petite quantité d'eau par un flexible en caoutchouc. Une fois l'eau écoulée, la soupape se réarme automatiquement.

POIGNÉE DE GÂCHETTE

La poignée de gâchette est dotée d'une surface de prise permettant de mieux la contrôler et de réduire la fatigue. Les parois latérales de l'appareil sont dotées d'un espace de rangement pour la poignée à gâchette et le vaporisateur.

GÂCHETTE AVEC VERROUILLAGE

Appuyer sur la gâchette pour produire un jet d'eau à haute pression pour le nettoyage. Le verrouillage constitue une protection contre toute utilisation non autorisée.

ASSEMBLAGE

DÉBALLAGE

Ce produit doit être assemblé.

- Avec précaution, couper les côtés du carton, puis en sortir la machine et les accessoires. S'assurer que toutes les pièces indiquées sur la liste de contrôle sont incluses.



AVERTISSEMENT :

Ne pas utiliser le produit si, en le déballant, vous constatez que des éléments figurant dans la liste d'expédition sont déjà assemblés. Certaines pièces figurant sur cette liste n'ont pas été assemblées par le fabricant et exigent une installation. Le fait d'utiliser un produit qui a été assemblé de façon inadéquate peut entraîner des blessures.

NOTE : Cet outil est lourd. Pour éviter des problèmes lombaires soulever avec les jambes, pas avec le dos et demander de l'aide lorsque nécessaire.

- Examiner soigneusement l'outil pour s'assurer que rien n'a été brisé ou endommagé en cours de transport.
- Ne pas jeter les matériaux d'emballage avant d'avoir soigneusement examiné l'outil et avoir vérifié qu'il fonctionne correctement.
- Si des pièces sont manquantes ou endommagées, appeler le 1-800-242-4672.

ASSEMBLAGE

LISTE DE CONTRÔLE

Nettoyeur haute pression
Tuyau haute pression de 7,6 m (25 pi)
Poignée à gâchette
Lance d'arrosage
Buse à raccord rapide et rangement (3)
Flexible d'injection
Roue (2)
Essieu (2)
Goupille d'attelage (2)
Lubrifiant moteur 4 temps (SAE30 ou SAE 10W30)
Rangement de flexibles
Manuel d'utilisation

AVERTISSEMENT :

Si des pièces manquent ou sont endommagées, ne pas utiliser ce produit avant qu'elles aient été remplacées. Le fait d'utiliser ce produit même s'il contient des pièces endommagées ou s'il lui manque des pièces peut entraîner des blessures graves.

AVERTISSEMENT :

Ne pas essayer de modifier ce produit ou de créer des accessoires non recommandés pour ce produit. De telles altérations ou modifications sont considérées comme un usage abusif et peuvent créer des conditions dangereuses, risquant d'entraîner des blessures graves.

AVERTISSEMENT :

Pour empêcher un démarrage accidentel pouvant entraîner des blessures graves, toujours déconnecter le fil de bougie de moteur de la bougie d'allumage avant d'assembler des pièces.

OUTILS NÉCESSAIRES

Voir la figure 1a.

Les outils suivants (non inclus ou dessiné pour escalader) sont nécessaires pour effectuer l'assemblage :

- Clé mixte de 7/16 po
- Tournevis Phillips

INSTALLATION DES ROUES

Voir la figure 2.

- Localiser l'essieu, les axes de blocage et les roues. Retirer l'axe de blocage de l'essieu.
- Puis insérer ce dernier dans le trou central de la roue.
- Soulever la machine et insérer l'essieu, muni de la rondelle et de la roue sans le trou de montage de la base, comme illustré.

- Enfoncer la goupille de blocage dans le trou de l'extrémité de l'essieu pour assujettir la roue.

NOTE: La goupille d'attelage doit être poussée dans l'essieu jusqu'à ce que le centre de la goupille repose sur le dessus de l'essieu.

- Répéter la procédure pour l'autre roue.

INSTALLATION DU MANCHE TÉLESCOPIQUE

Voir la figure 3.

- Aligner les flèches sur la poignée en U avec les flèches sur le dos du cadre.
- La pousser et tient le bouton sur la poignée comme vous glissez la poignée dans les trous dans le cadre.
- Assujettir le manche en alignant son capuchon de verrouillage sur la goupille du logement. Ensuite, appuyer sur le chapeau de fermeture de la poignée et tournez-le simultanément dans le sens des aiguilles d'une montre.

NOTE : Tirer sur le manche pour engager le bouton de verrouillage dans la fente pour le verrouiller en place.

INSTALLATION DU TUYAU POUR L'INJECTION DU DÉTERGENT

Voir la figure 4.

Le tuyau pour l'injection du détergent doit être installé avant de pouvoir utiliser du détergent dans la machine.

- Engager fermement l'extrémité libre du le tuyau pour l'injection du détergent transparent sur le raccord, comme illustré.
- Placer l'extrémité du flexible dotée du filtre dans la bouteille de détergent.

ASSEMBLAGE DE LA LANCE D'ARROSAGE À LA POIGNÉE À GÂCHETTE

Voir la figure 5.

- Placer l'extrémité fileté de la lance d'arrosage sur le raccord situé à l'extrémité de la poignée à gâchette.
- Tourner le raccord dans le sens des aiguilles d'une montre jusqu'à ce qu'il se bloque. Ceci permet de sécuriser la lance d'arrosage et de la maintenir en place.
- Dès la fin de l'utilisation, retirer la lance d'arrosage de la poignée à gâchette en tournant le raccord dans le sens contraire aux aiguilles d'une montre. Dès la fin de l'utilisation, rangez chaque pièce dans l'espace de rangement prévu aux parois latérales du bâti de la laveuse à pression.

BRANCHEMENT DU FLEXIBLE HAUTE PRESSION SUR LA LANCETTE

Voir la figure 6.

- Visser le collier du flexible sur le poignée à gâchette en le tournant vers la droite. Serrer fermement.

ASSEMBLAGE

NOTE : S'assurer de ne pas déformer le filetage, ce qui peut causer des fuites à la poignée à gâchette pendant l'utilisation.

- Tirer sur le tuyau pour s'assurer qu'il est correctement bloqué.

CONNEXION DU FLEXIBLE HAUTE PRESSION SUR LA POMPE

Voir la figure 7.

- Dérouler complètement et redresser le tuyau haute pression pour éviter les pincements.

NOTE : Voir « **Utilisation du tuyau haute pression** » au chapitre *Fonctionnement* pour obtenir plus d'information au sujet de l'utilisation du tuyau haute pression.

- Aligner le collier sur le téton fileté de la pompe.
- Insérer la buse de l'extrémité du collier du flexible haute pression dans le téton fileté.
- Tourner le collier vers la droite et la serrer fermement sur la pompe.

NOTE : Prendre soin d'éviter la déformation du filetage, ce qui peut causer des fuites au tuyau pendant l'utilisation.

- Tirer sur le tuyau pour s'assurer qu'il est solidement assujéti.

CONNEXION DU TUYAU D'ARROSAGE AU NETTOYEUR HAUTE PRESSION

Voir la figure 8.

AVIS :

Toujours respecter tous les règlements locaux au moment de brancher les tuyaux flexibles à l'alimentation principale en eau. Dans certaines régions, l'unité ne doit pas être reliée directement à l'alimentation publique en eau potable pour éviter que des produits chimiques affectent le système. Un raccordement direct est généralement permis si une bâche de récupération ou un dispositif anti-refoulement est utilisé.

L'alimentation en eau doit provenir d'une conduite principale d'alimentation en eau. Ne JAMAIS utiliser l'eau chaude ou l'eau des piscines, lacs, etc. Avant de connecter le tuyau d'arrosage au nettoyeur haute pression :

- Faire circuler l'eau dans le flexible pendant 30 secondes pour le débarrasser des débris.
- Inspecter le tamis dans l'arrivée d'eau.
- Si le tamis est endommagé, ne pas utiliser l'équipement avant d'avoir remplacé le tamis.
- Si le tamis est sale, le nettoyer avant de connecter le tuyau d'arrosage à l'équipement.

Pour connecter le tuyau d'arrosage à l'équipement :

- Dérouler complètement et redresser le tuyau haute pression pour éviter les pincements.

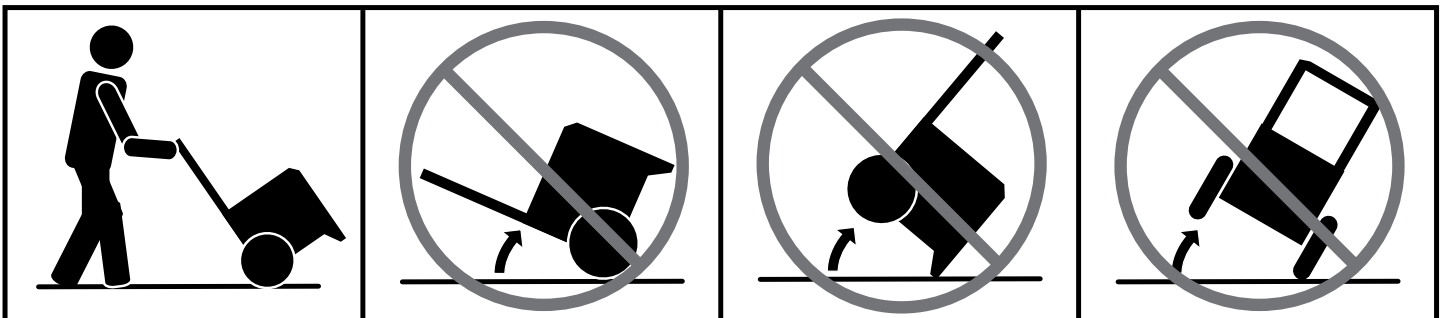
NOTE : Il doit y avoir un minimum de 3 m (10 pi) de tuyau entre l'admission du nettoyeur haute pression et le robinet de tuyau ou le robinet de sectionnement (comme un connecteur de sectionnement en « Y »).

- Le robinet de tuyau étant complètement fermé, fixer l'extrémité du tuyau d'arrosage sur l'arrivée d'eau. Serrer à la main.

AVIS :

Ne pas faire fonctionner la pompe de la laveuse à pression sans que l'arrivée d'eau soit branchée et ouverte, car cela pourrait endommager les joints d'étanchéité haute pression et réduire la durée de vie utile de la pompe. Dérouler complètement le tuyau de son dévidoir ou de sa bobine et s'assurer qu'il ne se coince pas sous les pneus, sur des roches ou dans tout autre objet susceptible de couper ou de réduire l'alimentation en eau de la laveuse à pression.

ÉVITER TOUTE INCLINAISON DE L'APPAREIL !



UTILISATION

AVERTISSEMENT :

Ne pas laisser la familiarité avec l'outil faire oublier la prudence. Ne pas oublier qu'une fraction de seconde d'inattention peut entraîner des blessures graves.

AVERTISSEMENT :

Toujours porter une protection oculaire avec écrans latéraux certifiée conforme à la norme ANSI Z87.1. Si cette précaution n'est pas prise, des objets peuvent être projetés dans les yeux et causer des lésions graves.

AVERTISSEMENT :

Ne pas utiliser d'outils ou accessoires non recommandés par le fabricant pour cet outil. L'utilisation de pièces et accessoires non recommandés peut entraîner des blessures graves.

AVERTISSEMENT :

Ne pas diriger le jet vers quiconque. Le non-respect de cet avertissement pourrait entraîner des blessures graves.

APPLICATIONS

Cet outil peut être utilisé autour de la maison pour nettoyer la plupart des petites et grandes surfaces extérieures horizontales ou verticales, les petits objets et petites structures extérieurs, l'équipement et les outils extérieurs.

* Utile pour :

- Nettoyer ou éliminer les moisissures des terrasses protégées contre les intempéries, les allées, patios, allées piétonnes, trottoirs, etc.
- Éliminer la saleté de plusieurs types de surfaces verticales extérieures comme les murs extérieurs de la maison, le parement, les clôtures, briques, béton, pierres, etc.
- Laver les bateaux, mobilier extérieur, équipements de jardinage motorisés ou manuels, gouttières, moustiquaires, barbecues, équipements de terrain de jeux, etc.

**Toujours, faire un essai préalable sur une petite surface dissimulée.*

AJOUT/VÉRIFICATION DE LUBRIFIANT

Voir la figure 9.

NOTE : Cet équipement a été expédié avec environ 2 oz lubrifiant dans le moteur, résultant des essais. **Faire l'appoint lubrifiant moteur avant le premier démarrage.**

AVIS :

Toute tentative de démarrage du moteur sans avoir fait l'appoint lubrifiant entraînera une défaillance.

- Poser le nettoyeur haute pression sur une surface plane et horizontale. Ne pas incliner.
- Dévisser le bouchon / jauge d'huile en le tournant dans le sens inverse des aiguilles d'une montre.
- Ajouter de l'huile pour moteur quatre temps (SAE 30 ou SAE 10W30) ajouter de l'huile pour moteur jusqu'à ce que le niveau atteigne le haut de la section hachurée de la jauge (18 oz. d'huile pour moteur quatre temps fournis). **Ne pas remplir à l'excès.**
- Remettre le bouchon / jauge d'huile en place et le serrer fermement.

AVIS :

Ne pas remplir à l'excès. Trop remplir le carter peut produire une fumée excessive et endommager le moteur.

CARBURANTS OXYGÉNÉS

AVIS :

Ne pas utiliser d'essence E15 ou E85 (ou un carburant contenant plus de 10 % d'éthanol) dans ce produit. Une telle utilisation représente une violation de la loi fédérale et endommagera l'appareil et annulera la garantie.

Les dommages au circuit de carburant et les problèmes de performance résultant de l'utilisation de carburant oxygéné contenant des pourcentages de composants oxygénés supérieurs à ceux indiqués ci-dessous **ne sont pas couverts par la garantie.**

Éthanol. L'essence contenant jusqu'à 10 % d'éthanol par volume (généralement désignée E10) est acceptable. E15 et E85 ne sont pas.

APPOINT D'ESSENCE

Voir la figure 10.

AVERTISSEMENT :

L'essence et ses vapeurs sont extrêmement inflammables et explosives. Pour éviter blessures et dommages matériels, manipuler l'essence avec prudence. Garder à l'écart des sources d'allumage, manipuler en plein air uniquement, ne pas fumer lors de l'appoint de carburant et essayer immédiatement tout carburant répandu.

Lors de l'appoint de carburant du nettoyeur haute pression, vérifier que la machine se trouve sur une surface plane et horizontale. Si le moteur est très chaud, laisser le nettoyeur haute pression refroidir avant d'ajouter de l'essence. Toujours faire l'appoint de carburant à l'extérieur à la machine est éteinte.

NOTE : Ce moteur est un moteur 4 temps. **NE PAS mélanger d'essence et de lubrifiant ensemble.**

UTILISATION

- Mélanger un stabilisateur de carburant à l'essence en respectant les instructions du fabricant du stabilisateur de carburant.
- Avant de retirer le bouchon du réservoir d'essence, nettoyer son pourtour. Retirer le bouchon du réservoir de carburant.
- Insérer un entonnoir propre dans le réservoir et verser le carburant lentement. Remplir le réservoir jusqu'à environ 40 mm (1-1/2 po) au dessous du bord de la goulotte de remplissage (pour permettre la dilatation du carburant).
- Remettre le bouchon d'essence en place et le serrer jusqu'à ce qu'il « s'enclenche ».
- Essuyer tout carburant répandu avant de lancer le moteur.

AVERTISSEMENT :

Toujours arrêter le moteur avant l'approvisionnement en carburant. Ne jamais remplir le réservoir d'une machine lorsque le moteur tourne ou est chaud. S'éloigner d'au moins 9 m (30 pi) du point d'approvisionnement avant de lancer le moteur. Ne pas fumer et éviter les flammes nues ! Le non-respect de ces instructions pourrait entraîner des blessures graves.

MISE EN MARCHÉ / ARRÊT DU NETTOYEUR HAUTE PRESSION

Voir les figures 11 et 12.

AVIS :

Ne pas faire fonctionner la pompe de la laveuse à pression sans que l'arrivée d'eau soit branchée et ouverte, car cela pourrait endommager les joints d'étanchéité haute pression et réduire la durée de vie utile de la pompe. Dérouler complètement le tuyau de son dévidoir ou de sa bobine et s'assurer qu'il ne se coince pas sous les pneus, sur des roches ou dans tout autre objet susceptible de couper ou de réduire l'alimentation en eau de la laveuse à pression.

Avant de lancer le moteur :

- Connecter tous les flexibles.
- Vérifier les niveaux de liquides (lubrifiant et carburant).
- Ouvrir l'eau du tuyau d'arrosage et appuyer sur la gâchette pour purger l'air. Continuer d'appuyer sur la gâchette jusqu'à ce que l'eau s'écoule régulièrement.

NOTE : S'assurer que le robinet est complètement ouvert et que le tuyau ne fuit pas et qu'il n'est pas plié.

Lancement du moteur :

- Appuyer 3 fois sur la poire d'amorçage.
NOTE : Lors du premier démarrage du moteur, appuyez 5 fois sur la poire d'amorçage.

- Mettre l'interrupteur de marche/arrêt (ON/OFF) à la position ON (marche).
- Saisir le lanceur et le tirer lentement jusqu'à ressentir une certaine résistance. Tirer d'un coup sec sur le lanceur afin de faire démarrer le moteur.

NOTE : Ne pas lâcher le poignée du lanceur et corde brusquement après le démarrage. Le remettre en douceur à sa position d'origine.

AVIS :

Si le moteur ne démarre pas après traction du poignée du lanceur et corde de démarrage, appuyer sur la gâchette pour libérer la pression d'eau avant de tenter de redémarrer.

Arrêt du moteur :

- Régler le commutateur d'arrêt et démarrage en position OFF (ARRÊT).
- Fermer l'arrivée d'eau et appuyer sur la gâchette pour libérer la pression d'air.

AVERTISSEMENT :

Pendant le fonctionnement ou lors du rangement, allouez un espace libre de 91,4 cm (3 pi) de chaque côté et au-dessus de la génératrice. Laisser refroidir l'appareil au moins 30 minutes avant de le ranger. La chaleur créée par le tuyau et les gaz d'échappement peut être suffisamment chaude pour causer des brûlures graves ou enflammer des objets combustibles.

FONCTIONNEMENT POIGNÉE DE GÂCHETTE

Voir la figure 13.

Pour un meilleur contrôle et une plus grande sécurité d'utilisation, toujours tenir la poignée de gâchette à deux mains.

- Appuyer sur la gâchette et la maintenir enfoncée pour actionner le nettoyeur haute pression.
- Relâcher la gâchette pour arrêter le jet d'eau de la buse.

Pour engager le verrouillage :

- Appuyer sur le bouton de verrouillage jusqu'à ce qu'il s'enclenche dans la fente.

Pour désengager le verrouillage :

- Appuyer sur le bouton de verrouillage pour le mettre dans sa position originale.

Pour utiliser la lance de pulvérisation, commencer en plaçant la buse à une distance de 30 à 60 cm (1 à 2 pi) de la surface à nettoyer. Se rapprocher lentement de la surface jusqu'à ce que l'intensité de nettoyage soit atteinte. Si la buse est trop proche, le jet peut endommager la surface.

UTILISATION

SÉLECTIONNER LA BUSE À RACCORD RAPIDE APPROPRIÉE POUR LA TÂCHE

Voir la figure 14.

Avant de commencer tout nettoyage, sélectionner la buse convenant le mieux pour l'application. Chacune des trois buses offre une configuration de jet différente. Les différentes configurations sont : 0° (haute pression), 25° (pression moyenne, et 0° (haute pression).

Buse	Application
0° Rouge	Idéal pour nettoyer les taches situées dans les endroits en hauteur et difficiles d'accès <ul style="list-style-type: none">• Pour retirer l'accumulation de boue sur l'équipement lourd de ferme, de construction ou d'entretien des pelouses• Pour enlever le goudron, la colle ou les taches tenaces sur le béton• Pour nettoyer les surfaces en surplomb• Pour enlever la rouille de l'acier et l'oxydation de l'aluminium
25° Green	Pour une utilisation générale ou sur les grandes surfaces <ul style="list-style-type: none">• Pour enlever la saleté et la boue• Pour nettoyer les toits, les gouttières et les tuyaux de descente pluviale• Pour enlever les taches légères de moisissure• Pour retirer les algues et les bactéries accumulées sur les parois des piscines• Pour rincer les surfaces avant de les peindre
Détergent (Noir)	Pour toutes les applications de détergent et rincer doucement

NOTE: Pour un rinçage délicat, sélectionner la buse à détergent. Le décapage d'une surface nécessite un jet d'eau plus direct. Pour les travaux de nettoyage les plus durs, utiliser la buse 0°. Appliquer le détergent à l'aide de la buse prévue à cet effet.



AVERTISSEMENT :

NE JAMAIS changer de buse ou modifier le jet de pulvérisation sans d'abord verrouiller le dispositif de verrouillage sur la poignée de gâchette et ne jamais pointer la lance en direction du visage ou d'autres personnes. Le dispositif de raccord rapide contient de petits ressorts qui peuvent éjecter la buse avec force. Le non-respect de cette précaution peut entraîner des blessures.

Pour installer une buse sur la poignée de gâchette :

- Arrêter le nettoyeur et fermer l'arrivée d'eau. **Appuyer sur la gâchette pour relâcher la pression d'eau.**

- Verrouiller la poignée de gâchette en poussant sur le bouton de verrouillage jusqu'à ce qu'il s'engage dans la fente.
- Tirer la bague à connexion rapide vers l'arrière.
- Insérer en place la buse dans la lance d'arrosage.
- Poussez en avant la bague de manière à ce que la buse soit fixée solidement et vérifier le tout.

Pour retirer une buse de la poignée de gâchette une fois le nettoyage terminé :

- Arrêter le nettoyeur et fermer l'arrivée d'eau. Appuyer sur la gâchette pour relâcher la pression d'eau.
- Verrouiller la poignée de gâchette en poussant sur le bouton de verrouillage jusqu'à ce qu'il s'engage dans la fente.
- Retirer la buse en plaçant sa main au dessus de la buse puis en tirant la bague à connexion rapide vers l'arrière. Ranger la buse dans le compartiment du dessus de la machine prévu à cet effet.

UTILISATION DU TUYAU HAUTE PRESSION

Le tuyau haute pression comprend un revêtement extérieur qui permet de renforcer le tuyau. Si le revêtement extérieur est endommagé, il faut remplacer immédiatement le tuyau.

Ne pas utiliser le tuyau haute pression si le revêtement extérieur est endommagé.

Pour éviter d'endommager le revêtement extérieur :

- Examiner le tuyau avant chaque utilisation.
- Dérouler complètement le tuyau et le raidir avant l'utilisation.
- Ne pas laisser le tuyau haute pression s'entortiller.
- Tenir le tuyau à l'écart des surfaces chaudes et des rebords tranchants.
- Ne pas tirer l'unité par le tuyau haute pression.
- Ne pas laisser le tuyau s'écraser ou s'enrouler autour des objets.

DÉPLACEMENT DU NETTOYEUR HAUTE PRESSION

Voir la figure 15.

NOTE : Ne jamais soulever ou transporter la machine avec la poignée et ne jamais placer l'unité dans une position autre qu'à la verticale sur ses roues.

- Arrêter le nettoyeur et ouvrir le robinet de carburant en position de arrêt.
- Tirer la poignée vers le haut jusqu'à ce que le bouton de relâchement de la poignée s'enclenche en position de verrouillage (si celle-ci n'est pas déjà relevée et verrouillée). S'assurer que le verrou est solidement enclenché dans le trou du cadre avant de déplacer l'appareil.

UTILISATION

- Incliner légèrement l'appareil vers soi jusqu'à ce qu'il soit en équilibre sur les roues, puis rouler vers l'endroit désiré. Ne pas incliner vers l'avant ou les côtés lors du déplacement.
- NE PAS tirer sur aucun tuyau pour tenter de déplacer l'appareil.

NETTOYAGE AVEC DU DÉTERGENT

Voir la figure 16.

Utiliser uniquement des détergents conçus pour les nettoyeurs haute pression ; les produits ménagers, les acides, alcalines, agents de blanchiment, solvants, les produits inflammables, ou les solutions qualité industrielle pourraient endommager la pompe. De nombreux détergents ou produits chimiques doivent être mélangés avant l'emploi. Préparer la solution de nettoyage selon les instructions du flacon de solution. Toujours, faire un essai préalable sur une petite surface dissimulée.

- Placer le tuyau pour l'injection du détergent au fond de la bouteille ou du seau de détergent.
- Installer la buse noire sur la lancette.
- Appuyer sur la gâchette et attendre l'apparition du détergent pendant environ 5 secondes.
- Pulvériser le détergent sur une surface sèche à l'aide de mouvements longs, uniformes, se chevauchant. Pour éviter de laisser des marques, ne pas laisser le détergent sécher sur la surface.

Avant d'arrêter le moteur :

- Placer le tuyau pour l'injection du détergent dans un seau d'eau propre.
- Rincer pendant 1 à 2 minutes (pulvériser de l'eau propre avec la lancette).
- Arrêter le moteur.

NOTE : Couper le moteur (commutateur en position **(O)**) ne relâche pas la pression du système. **Tirer sur la gâchette pour relâcher la pression d'eau.**

RINÇAGE AVEC LE NETTOYEUR HAUTE PRESSION

- Arrêter le nettoyeur et fermer l'arrivée d'eau. Appuyer sur la gâchette pour relâcher la pression d'eau.
- Verrouiller la lancette en poussant sur le bouton de verrouillage jusqu'à ce qu'il s'engage dans la fente.
- Tirer le collier en arrière et le maintenir dans cette position.
- Retirer la buse en la séparant du collier.
- Sélectionner la buse appropriée pour le travail.
 - Utiliser la buse basse pression (verte) pour laver les articles tels que véhicules ou bateaux.
 - Utiliser la buse haute pression (rouge) pour des travaux tels que le décapage de peinture et le dégraissage d'allées. Avant d'utiliser ces buses, faire d'abord un essai sur une petite zone pour éviter d'endommager la surface.
- Commencer en haut de la zone à rincer et continuer vers le bas en faisant chevaucher les passes.

FONCTIONNEMENT À ALTITUDE ÉLEVÉE

Des modifications précises sont nécessaires pour le fonctionnement à altitude élevée. Communiquer avec un centre de réparations agréé pour obtenir les renseignements importants au sujet de ces modifications. Faire fonctionner ce moteur à altitude élevée sans avoir fait les modifications adéquates augmentera les émissions du moteur, augmentera la consommation de carburant et diminuera sa performance.

ENTRETIEN

AVERTISSEMENT :

Utiliser exclusivement des pièces identiques à celles d'origine pour les réparations. L'usage de toute autre pièce pourrait créer une situation dangereuse ou endommager l'outil.

AVERTISSEMENT :

Toujours porter une protection oculaire avec écrans latéraux certifiée conforme à la norme ANSI Z87.1. Si cette précaution n'est pas prise, des objets peuvent être projetés dans les yeux et causer des lésions graves.

AVERTISSEMENT :

Avant d'inspecter, nettoyer ou entretenir l'équipement, couper le moteur, attendre que toutes les pièces en mouvement s'arrêtent, déconnecter le fil de la bougie et l'écartier de la bougie. Le non-respect de ces instructions peut entraîner des blessures graves ou des dégâts matériels.

ENTRETIEN GÉNÉRAL

Éviter d'utiliser des solvants pour le nettoyage des pièces en plastique. La plupart des matières plastiques peuvent être endommagées par divers types de solvants du commerce. Utiliser un chiffon propre pour éliminer la saleté, la poussière, l'huile, la graisse, etc.

AVERTISSEMENT :

Ne jamais laisser de liquides tels que le fluide de freins, l'essence, les produits à base de pétrole, les huiles pénétrantes, etc., entrer en contact avec les pièces en plastique. Les produits chimiques peuvent endommager, affaiblir ou détruire le plastique, ce qui peut entraîner des blessures graves.

Seules les pièces figurant sur la liste de contrôle sont conçues pour être réparées ou remplacées par l'utilisateur. Toutes les autres pièces doivent être remplacées dans un centre de réparations agréé.

Avant de lancer le moteur, prendre les précautions suivantes :

- Vérifier que tous les boulons, écrous, etc. sont bien serrés.
- S'assurer que le filtre à air est propre.
- Vérifier les niveaux d'huile moteur et de carburant ; faire l'appoint selon le besoin.
- Regarder si le lieu de travail présente des dangers.
- En cas de vibrations ou bruits excessifs arrêter immédiatement la machine.

NETTOYAGE DU FILTRE À AIR

Voir la figure 17.

Un filtre à air encrassé peut entraîner des difficultés de démarrage, une réduction des performances et raccourcir la vie utile du moteur. Vérifier le filtre à air chaque mois. Pour obtenir un fonctionnement optimal, remplacer le filtre à air au moins une fois par an.

NOTE : NE PAS retirer le capot, car cela pourrait déconnecter ou desserrer le fil du commutateur d'ARRÊT, le rendant inopérant.

- Appuyer contre le verrou pour ouvrir le couvercle.
- Retirer le couvercle du filtre à air.
- Soulever avec précaution le rebord du filtre à air et le retirer.
- Nettoyer le filtre à air avec de l'eau savonneuse tiède.
- Rincer et presser pour faire sécher.
- Déposer une petite quantité de lubrifiant pour moteur (SAE 30) sur l'éponge du filtre. Expulser le lubrifiant en excès puis réinstaller le filtre à air.
NOTE : S'assurer que le filtre est correctement positionné dans le couvercle. Une installation incorrecte du filtre laisse la saleté entrer dans le moteur, entraînant une usure rapide.
- Pour installer le couvercle du filtre à air, insérer les languettes dans les encoches. Fermer le couvercle et appuyer sur le verrou jusqu'à ce qu'il s'enclenche.

ENTRETIEN DE BUSE

Voir la figure 18.

Une pression de pompe excessive (sensation d'impulsion au serrage de la gâchette) peut être le résultat d'une buse bouchée ou sale.

- Arrêter le nettoyeur et fermer l'arrivée d'eau. Appuyer sur la gâchette pour relâcher la pression d'eau.
- Retirer la buse de la lance de pulvérisation.
NOTE : Ne jamais diriger la lance de pulvérisation vers le visage.
- À l'aide d'un trombone droit ou d'un outil pour nettoyer les buses (non fourni), retirer toute matière étrangère engorgeant ou obstruant la buse.
- À l'aide d'un tuyau d'arrosage, rincer les débris de la buse en rinçant à l'envers (en dirigeant le jet de l'extérieur vers l'intérieur).
- Reconnecter la buse sur la lancette.
- Ouvrir l'arrivée d'eau et démarrer le moteur.

VÉRIFICATION D'UNE BOUGIE

Voir la figure 19.

- Nettoyer la surface située autour de la base de la bougie d'allumage avant de retirer cette dernière pour garder le moteur exempt de poussière et de débris. Retirer la bougie.
- Nettoyer les dépôts de carbone se trouvant sur l'électrode de la bougie à l'aide d'un nettoyeur-bougie ou d'une brosse métallique. Remplacer la bougie si elle est usée. Pour remplacer la bougie, consulter les **Caractéristiques de**

ENTRETIEN

produit au début du manuel ou le manuel fourni avec le moteur, si nécessaire.

- Vérifier l'écartement des pointes d'électrode. Il doit mesurer entre 0,70 mm (0,028 po) et 0,80 mm (0,031 po). Ajuster l'écartement au besoin en pliant avec précaution l'électrode de mise à la terre.
- Réinstaller la bougie. Serrer fermement.

CHANGEMENT HUILE DE MOTEUR

Voir la figure 20.

- Arrêter le moteur.
- Nettoyer la zone située autour du bouchon de vidange d'huile puis retirer le bouchon.
- Incliner la laveuse à pression sur le côté tel qu'il est illustré. Vider l'huile dans un contenant approuvé à cet effet.
NOTE : Vidanger huile pendant que le moteur est encore tiède mais pas brûlant. Huile tiède s'écoule plus rapidement et plus complètement.
- Lorsque le carter est complètement vide, remettre la laveuse à pression en position verticale.
- Replacer le bouchon de vidange d'huile.
- Remplir le réservoir d'huile en suivant les instructions décrites précédemment à la section intitulée **Ajouter de l'huile** dans le manuel du présent manuel. Pour connaître le volume de remplissage d'huile, consulter les **Caractéristiques de produit** au début du manuel ou le manuel fourni avec le moteur, si nécessaire.

NOTE: Consulter les réglementations locales de traitement des déchets dangereux pour l'élimination du carburant.

LUBRIFICATION DU POMPE

La pompe de cet outil sont enduits d'une quantité suffisante de lubrifiant de haute qualité pour la durée de vie de l'outil, dans des conditions d'utilisation normales. Aucune autre lubrification n'est donc nécessaire.

REMISAGE DU NETTOYEUR HAUTE PRESSION

Voir la figure 21.

NOTE : L'utilisation régulière d'un stabilisateur de carburant et d'un protecteur de pompe permettra une meilleure performance de l'appareil et augmentera la durée de vie de la pompe. Voir la liste des pièces de rechange pour obtenir les formats disponibles et les numéros de pièces des articles et commander des pièces en appelant le Service à la clientèle.

Laisser la machine refroidir pendant environ 30 minutes avant de la remiser. Remiser la machine dans un endroit sec à l'abri des intempéries.

Il est important de remiser ce produit à l'abri du gel. Toujours vider l'eau de tous les flexibles, de la pompe, du réservoir de carburant et du seau de détergent avant de remiser l'équipement.

- Ranger le nettoyeur à haute pression après avoir brûlé tout le carburant en laissant tourner le moteur. L'essence stockée peut s'évaporer en 30 jours.

NOTE : S'assurer que l'alimentation en eau est branchée et ouverte au moment de faire fonctionner le moteur de la laveuse à pression.

- S'assurer que le commutateur marche/arrêt et le robinet de carburant sont en position OFF (ARRÊT).
- Débrancher la connexion d'eau.
- Vider la pompe en tirant environ 6 fois sur le lanceur à rappel. Ceci doit retirer la plupart du liquide de la pompe.

AVIS :

L'utilisation d'un protecteur de pompe est fortement recommandée après chaque utilisation et avant de le ranger afin de prévenir les dommages au joint d'étanchéité et occasionnés par les températures froides pendant le rangement.

- Vider le lubrifiant usagé et le remplacer par un lubrifiant frais et propre comme décrit sous dans le Manuel du moteur.
- Déconnecter le fil de bougie et retirer la bougie. Verser environ une cuillère à thé lubrifiant propre pour moteur quatre temps refroidi par air, par le trou de bougie, dans la chambre de combustion.
- La bougie étant retirée, tirer deux ou trois fois sur le cordon lanceur pour enduire l'intérieur de la paroi de cylindre.
- Inspecter la bougie et nettoyer ou remplacer, selon le besoin.
- Réinstaller la bougie, mais laisser son fil débranché.
- Nettoyer le filtre à air.
- Tirer la corde du lanceur pour vérifier son état. Si elle est usée, la confier immédiatement à un centre de réparations agréé afin de la faire remplacer.
- Retirer tous les flexibles. Embobiner les tuyaux et remiser comme illustré. Ne pas permettre au tuyau pour devenir tortillé.
- Remiser l'unité et les accessoires dans un secteur qui n'atteint pas les températures inférieures à 0 °C. Ne pas ranger près de la fournaise ou près des autres sources de chaleur qui pourrait sécher les joint d'étanchéité de pompe.

REMISE EN SERVICE APRÈS REMISAGE

- Tirer trois ou quatre fois la poignée de lanceur à rappel pour évacuer huile de la chambre de combustion.
- Retirer la bougie du cylindre. Essuyer huile de la bougie et la remettre en place dans le cylindre.
- Reconnecter le fil de bougie.
- Approvisionner la machine en carburant, comme indiqué plus haut dans ce manuel d'utilisation.

ENTRETIEN

CALENDRIER D'ENTRETIEN PÉRIODIQUE

Articles d'entretien Effectuer une fois par mois sont indiqués ou d'exploitation heure d'intervalle, selon la première éventualité	Chaque utilisation	Premier mois ou 5 heures	Tous les 3 mois ou 25 heures	Tous les 6 mois ou 50 heures	Tous les ans ou 100 heures	Tous les 2 ans ou 250 heures
Vérifier et rectifier le niveau d'huile du moteur	•					
Changer l'huile du moteur*		•		•		
Vérifier le filtre à air	•					
Nettoyer le filtre à air			•			
Remplacer l'élément du filtre à air						•
Nettoyer et régler la bougie et les électrodes					•	
Remplacer la bougie						•

* Changer l'huile moteur toutes les 25 heures lorsqu'il est utilisé à pleine charge ou à une température ambiante élevée. Par la suite, changer l'huile toutes les 50 heures d'utilisation. éliminer l'huile usée de façon sécuritaire et responsable. ne pas verser d'huile usée dans les égouts, sur la terre de jardin ou dans des cours d'eau ouverts. les règlements locaux d'aménagement ou de l'environnement donnent des instructions plus détaillées sur la procédure correcte d'élimination.

Les tâches d'entretien qui ne sont pas énumérées ici doivent être faites par un centre de service.

DÉPANNAGE

PROBLÈME	CAUSE	SOLUTION
Le moteur ne démarre pas	<p>Pas de carburant dans le réservoir</p> <p>Bougie encrassée ou noyée</p> <p>La bougie est cassée (porcelaine fissurée ou électrodes cassées)</p> <p>Fil d'allumage en court-circuit, coupé ou débranché</p> <p>Pas d'allumage</p> <p>Le moteur n'est pas amorcé.</p>	<p>Remplir le réservoir</p> <p>Remplacer la bougie</p> <p>Remplacer la bougie</p> <p>Remplacer le fil ou le brancher sur la bougie</p> <p>Contacter un centre de réparations agréé</p> <p>Appuyer 3 fois sur la poire d'amorçage (5 fois lors du premier démarrage)</p>
Moteur difficile à démarrer	<p>Eau dans le carburant</p> <p>Étincelle de bougie faible</p>	<p>Vidanger l'ensemble du système et remplir de carburant frais</p> <p>Contacter un centre de réparations agréé</p>
Le moteur manque de puissance	<p>Filtre à air encrassé</p>	<p>Nettoyer ou remplacer le filtre à air</p>
Le détergent ne se mélange pas au jet d'eau	<p>Le flexible d'injection n'est pas correctement immergé</p> <p>Buse haute pression installée</p>	<p>Plonger le flexible mélange pas au jet dans le réservoir o bouteille de détergent</p> <p>Utiliser la buse basse pression (noire) pour appliquer le détergent..</p>
La pompe ne produit pas de pression	<p>Buse basse pression installée</p> <p>Débit d'alimentation en eau insuffisant</p> <p>La poignée de gâchette ou fuites à la lance de pulvérisation</p> <p>Buse obstruée</p> <p>Pompe défectueuse</p> <p>Air dans la ligne</p> <p>Fuite du tuyau</p> <p>Tuyau plié</p>	<p>Remplacer par la buse haute pression</p> <p>Fournir un débit d'eau adéquat</p> <p>Vérifier des connexions et/ou remplacer la lancette</p> <p>Nettoyer la buse</p> <p>Contacter un centre de réparations agréé</p> <p>Appuyer sur la gâchette de lalancette pour chasser l'aire de la conduite</p> <p>Remplacer le tuyau</p> <p>Éliminer le pli du tuyau</p>
La machine ne parvient pas à la pression correcte de fonctionnement	<p>Diamètre du flexible insuffisant</p> <p>Arrivée d'eau réduite</p> <p>Alimentation en eau insuffisante</p> <p>Buse incorrecte installée</p>	<p>Remplacer par un tuyau d'arrosage de 3/4 po (19 mm)</p> <p>S'assurer que le tuyau n'est pas entortillé ou obstrué et qu'il ne présente pas de fuites</p> <p>Ouvrir complètement le robinet d'eau</p> <p>Installer la buse haute pression</p>

GARANTIE

ÉNONCÉ DE LA GARANTIE LIMITÉE HORS MOTEUR

Homelite Consumer Products, Inc., (“Homelite”) garantit à l’acheteur original que ce produit la rondelle de pression de marque HOMELITE est exempt de tout vice de matériau ou de fabrication et s’engage à réparer ou remplacer gratuitement, à son choix, tout produit s’avérant défectueux au cours des périodes indiquées ci-dessous, à compter de la date d’achat.

- Deux ans si le produit est utilisé par des particuliers ;
- 90 jours un an si un des produits ci-dessus est utilisé à toutes autres fins, telles que les travaux commerciaux et la location.

Cette garantie n’est offerte qu’à l’acheteur original et entre en vigueur à la date de l’achat original.

Toute pièce de ce produit fabriquée ou fournie par Homelite et estimée défectueuse, selon le jugement raisonnable de Homelite en ce qui concerne la fabrication ou la main-d’œuvre, sera réparée ou remplacée sans frais pour les pièces et la main-d’œuvre par un centre de service autorisé Homelite agréé.

Le produit, y compris toutes les pièces défectueuses, devra être retourné à un centre de réparations Homelite agréé avant expiration de la période de garantie. Les frais d’expédition au centre de réparations et de retour au propriétaire du produit après la réparation ou le remplacement seront assumés par le propriétaire. La responsabilité de Homelite en ce qui concerne les réclamations en garantie se limitera aux réparations ou au remplacement des produits défectueux et aucune revendication de rupture de garantie ne pourra causer l’annulation ou la résiliation du contrat de vente d’un produit HOMELITE quel qu’il soit. Une preuve d’achat sera exigée par le centre de réparation, afin de valider toute réclamation au titre de la garantie. Tous les travaux sous garantie doivent être effectués par un centre de service autorisé Homelite agréé.

Cette garantie ne couvre pas le produit de marque ayant fait l’objet d’un usage abusif ou négligent, d’un manque d’entretien, ayant été impliqués dans un accident ou employés de façon contraire aux instructions du manuel du propriétaire. Cette garantie ne couvre ni les dommages aux produits le produit de marque résultant d’un entretien incorrect, ni le produit de marque altérés ou modifiés de façon à nuire au fonctionnement, aux performances et à la durabilité ou dans le but de l’utiliser pour un usage autre que celui pour lequel il a été conçu. La garantie exclut les réparations rendues nécessaires par l’usure normale ou l’utilisation de pièces et accessoires incompatibles avec produit la rondelle de pression de marque HOMELITE ou nuisibles à son bon fonctionnement, ses performances ou sa durabilité.

En outre, cette garanti exclut :

- A. Les réglages – Filtres à air, filtres à gaz, bougies
- B. Les articles d’usure – Tuyaux, raccords de connecteur, buses de pulvérisation, roues, lance à pulvérisation, seau de détergent, réservoir de produits chimiques

Homelite se réserve le droit d’apporter des modifications ou améliorations à tout produit la rondelle de pression de marque HOMELITE, sans obligation de modifier les produits fabriqués antérieurement.

LA DURÉE DE TOUTES LES GARANTIES IMPLICITES NE SAURAIT EN AUCUN CAS EXCÉDER LA PÉRIODE DE GARANTIE DÉCLARÉE. PAR CONSÉQUENT, TOUTES LES GARANTIES IMPLICITES, Y COMPRIS LES GARANTIES DE VALEUR MARCHANDE, D’ADÉQUATION À UN USAGE PARTICULIER, OU AUTRES, SERONT INVALIDÉES À L’EXPIRATION DE LA PÉRIODE DE GARANTIE EXPLICITE DE DEUX AN OU 90 JOURS. LES OBLIGATIONS HOMELITE DANS LE CADRE DE CETTE GARANTIE SE LIMITENT EXCLUSIVEMENT À LA RÉPARATION OU AU REMPLACEMENT DES PIÈCES DÉFECTUEUSES ET HOMELITE N’ASSUME OU N’AUTORISE QUICONQUE À ASSUMER EN LEUR NOM QUELQUE AUTRE OBLIGATION QUE CE SOIT. CERTAINS ÉTATS ET PROVINCES NE PERMETTANT PAS DE LIMITATION DE DURÉE DES GARANTIES IMPLICITES, LES RESTRICTIONS CI-DESSOUS PEUVENT NE PAS ÊTRE APPLICABLES. HOMELITE DÉCLINE TOUTE RESPONSABILITÉ EN CE QUI CONCERNE LES DOMMAGES DIRECTS, INDIRECTS OU AUTRES, Y COMPRIS, MAIS SANS S’Y LIMITER, LES FRAIS DE RETOUR DE PRODUITS HOMELITE CONSUMER PRODUCTS À UN ENTRETENIR LE CENTRE DE RÉPARATIONS HOMELITE AGRÉÉ ET DE RENVOI AU PROPRIÉTAIRE, DE DÉPLACEMENT D’UN TECHNICIEN, DE TÉLÉPHONE OU TÉLÉGRAMME, DE LOCATION D’UN PRODUIT SIMILAIRE PENDANT LA DURÉE DES RÉPARATIONS SOUS GARANTIE, DE DÉPLACEMENT, DE PERTES OU DOMMAGES À DES BIENS PERSONNELS, DE MANQUE À GAGNER, DE PERTE D’USAGE DU PRODUIT, DE PERTE DE TEMPS OU DE DÉRANGEMENT. CERTAINS ÉTATS N’AUTORISANT PAS L’EXCLUSION OU LA LIMITATION DES DOMMAGES DIRECTS OU INDIRECTS, LES LIMITATIONS ET EXCLUSIONS CI-DESSOUS PEUVENT DONC NE PAS S’APPLIQUER À TOUS LES CAS.

Cette garantie donne au consommateur des droits spécifiques, et celui-ci peut bénéficier d’autres droits, qui varient selon les états ou provinces.

Cette garantie couvre tous produit la rondelle de pression de marque HOMELITE distribué par Homelite Consumer Products, Inc., et vendus aux États-Unis, Mexique, et au Canada.

Pour obtenir l’adresse du centre de réparations Homelite agréé le plus proche, appeler le 1-800-242-4672 ou visiter notre site Internet à l’adresse www.homelite.com.

GARANTIE

ÉNONCÉ DE GARANTIE SUR LE CONTRÔLE DES ÉMISSIONS POUR LES ÉTATS UNIS VOS DROITS ET RESPONSABILITÉS EN VERTU DE CETTE GARANTIE

L'U.S. Environmental Protection Agency (EPA) et Chongqing Dajiang Power Equipment Co., Ltd (ci après « Dajiang ») se font ici le plaisir de vous expliquer la garantie de conformité du dispositif antipollution de votre nouveau petit moteur hors route. Tout nouveau petit moteur hors route doit être conçu, construit et équipé conformément aux strictes réglementations antipollution du gouvernement des États Unis. Dajiang garantit le système de contrôle des émissions de votre petit moteur hors route pour la période indiquée ci dessous, à condition que celui-ci n'ait pas fait l'objet d'un usage abusif, d'une modification non approuvée ou d'un mauvais d'entretien.

Votre système de contrôle des émissions peut inclure des pièces telles que le carburateur, le système d'allumage, le système d'admission et le système d'échappement. Dans l'éventualité d'un problème couvert par la garantie, Dajiang s'engage à réparer gratuitement votre moteur hors route, ce qui comprend le diagnostic, les pièces et la main d'œuvre.

DURÉE DE LA GARANTIE DU FABRICANT SUR LE DISPOSITIF ANTIPOLLUTION

Les systèmes antipollution des moteurs des modèles 2011 et ultérieurs sont garantis pour période de deux années tel qu'indiqué ci après. Si, au cours de cette période de garantie, l'un ou l'autre des composants ou des dispositifs liés aux émissions présente un vice de matériau ou de fabrication, la réparation ou le remplacement du composant ou du dispositif sera effectué par un centre de service agréé des produits Dajiang.

RESPONSABILITÉS DE L'ACHETEUR OU DU PROPRIÉTAIRE AU REGARD DE LA GARANTIE

En tant qu'acheteur ou propriétaire de ce petit moteur hors route, vous êtes tenu d'effectuer les séquences d'entretien indiquées dans le manuel du propriétaire fourni par le fabricant. Aux fins de la garantie, Dajiang recommande de conserver tous les reçus relatifs à l'entretien du moteur. Toutefois, Dajiang ne peut pas refuser la couverture de la garantie pour l'unique raison du manque de reçus ou parce que vous avez omis d'effectuer toutes les séquences d'entretien prévues.

Toutefois, en tant qu'acheteur ou propriétaire du petit moteur hors route, vous devez savoir que Dajiang peut nier toute responsabilité et toute obligation de sa part tel que stipulé dans la garantie si la défaillance de ce moteur ou d'une de ses pièces est due à un usage abusif, à la négligence, à un mauvais entretien, à des modifications non approuvées ou encore, à l'utilisation de pièces contrefaites ou provenant du « marché gris » et qui n'ont pas été fabriquées, fournies ou approuvées par Dajiang.

Vous êtes tenu de confier votre moteur à un centre agréé de service de la garantie de Dajiang dès qu'un problème se présente. Les réparations sous garantie seront effectuées dans un délai raisonnable, ne dépassant pas 30 jours.

Pour fixer un rendez-vous d'entretien sous garantie, veuillez communiquer avec le détaillant ou un centre agréé de service de la garantie de Dajiang.

AVIS IMPORTANT : Cette déclaration de garantie fait état de vos droits et de vos obligations au titre de la garantie de conformité du dispositif antipollution, laquelle vous est fournie par Dajiang en vertu des lois fédérales. La garantie de conformité du dispositif antipollution s'applique uniquement au dispositif antipollution de votre nouveau moteur. En cas de conflit entre la garantie de conformité du dispositif antipollution et la garantie de Dajiang, la garantie de conformité du dispositif antipollution s'applique, sauf dans les circonstances où la période de la garantie de Dajiang est plus longue. Ces deux garanties mentionnent des obligations et des droits importants concernant votre nouveau moteur.

L'entretien sous garantie doit uniquement être confié à un centre agréé de service de la garantie de Dajiang. Au moment de demander un entretien sous garantie, il est nécessaire de fournir une preuve de la date de vente à l'acheteur ou au propriétaire d'origine. L'acheteur ou le propriétaire doit assumer toutes les dépenses ou tous les autres frais liés aux appels au service des réparations ou au transport du produit en direction ou en provenance du centre d'inspection ou de réparations. L'acheteur ou le propriétaire est également responsable de tous les dommages ou de toutes les pertes subis pendant le transport ou l'expédition du moteur aux fins d'inspection ou de réparations sous garantie.

POUR TOUTE QUESTION CONCERNANT VOS DROITS ET VOS RESPONSABILITÉS AU TITRE DE LA GARANTIE, VEUILLEZ COMMUNIQUER AVEC DAJIANG OU SON AGENT REPRÉSENTANT AU NUMÉRO SUIVANT : 1-877-NA-DUCAR (1-877-623-8227).

II. GARANTIE DE CONFORMITÉ DU DISPOSITIF ANTIPOLLUTION

Garantie de conformité du dispositif antipollution applicable aux moteurs des modèles 2011 et ultérieurs :

- (a) Applicabilité : Cette garantie s'applique aux moteurs des modèles 2011 et ultérieurs. La période de la garantie de conformité du dispositif antipollution commence à la date d'achat ou de livraison du nouveau moteur ou du nouvel appareil à l'acheteur (et utilisateur) final ou au propriétaire d'origine et se poursuit pendant les 24 mois suivants.
- (b) Couverture générale de garantie sur le contrôle des émissions : Dajiang garantit à l'acheteur (et utilisateur) final ou au propriétaire d'origine du nouveau moteur ou du nouvel appareil ainsi qu'à tous les autres acheteurs ou propriétaires que ce moteur est :
- (1) Conçu, construit et équipé conformément à toutes les réglementations applicables adoptées par l'Environmental Protection Agency (EPA) conformément à son pouvoir respectif.
- (2) Exempt de défaut de matériau ou de fabrication qui, en tout temps pendant la période de la garantie de conformité du dispositif antipollution, ferait en sorte que des pièces du système relatif aux émissions couvertes par la garantie ne seraient pas identiques en tous points à celles décrites dans la demande de certification du fabricant du moteur.

La garantie de conformité du dispositif antipollution s'applique uniquement aux pièces du système relatif aux émissions de votre moteur présentées ici :

- (1) Toutes les pièces du système relatif aux émissions couvertes par une garantie qui ne doivent pas être remplacées aux fins d'entretien selon le manuel d'utilisation sont garanties pendant la période de la garantie de conformité du dispositif antipollution. Si la pièce s'avère défectueuse pendant la période de couverture de la garantie, elle sera réparée ou remplacée par Dajiang, conformément à la sous section (4) ci dessous. Cela exclut toutes les pièces contrefaites ou qui proviennent du « marché gris ».

Parmi les pièces de systèmes relatifs aux émissions, on retrouve :

- 1) Système de contrôle d'alimentation en carburant :
 - a) Ensemble carburateur et ses composants internes.
 - b) Filtre à carburant (le cas échéant)
 - c) Joints statiques du carburateur
 - d) Pompe à carburant (le cas échéant)
- 2) Système d'admission d'air, notamment :
 - a) Tuyau/tubulure d'admission
 - b) Purificateur d'air
- 3) Système d'allumage, notamment :
 - a) Bougie d'allumage
 - b) Module/bobine d'allumage
- 4) Ensemble silencieux (le cas échéant), notamment :
 - a) Joint d'échappement
 - b) Tubulure d'échappement
- 5) Systèmes d'évaporation :
 - a) Canalisations de carburant
 - b) Raccords de la canalisation d'essence
 - c) Réservoir à charbon activé
 - d) Supports de montage du réservoir
 - e) Raccord du port de purge du carburateur
 - f) Réservoir de carburant
 - g) Bouchon du réservoir de carburant
 - h) Colliers
- 6) Pièces diverses, notamment :
 - a) Tuyaux flexibles, courroies et connecteurs.

INSTRUCCIONES DE SEGURIDAD IMPORTANTES

ADVERTENCIA:

Lea y comprenda todas las instrucciones. El incumplimiento de todas las instrucciones siguientes puede causar descargas eléctricas, incendio o intoxicación por monóxido de carbono, lo cual puede causar la muerte o lesiones graves.

READ ALL INSTRUCTIONS




- **Familiarícese con la herramienta.** Lea cuidadosamente el manual del operador. Aprenda los usos y limitaciones de la máquina, así como los posibles peligros específicos de esta herramienta.
- **Mantenga las protecciones en su lugar** y en buenas condiciones de trabajo. Nunca utilice la herramienta con ninguna de las protecciones o cubiertas quitadas. Asegúrese de que todas las protecciones estén funcionando de forma correcta antes de utilizar la unidad.
- **Retire toda llave y herramienta de ajuste.** Adquiera el hábito de verificar que se haya retirado de la herramienta eléctrica toda llave y herramienta de ajuste antes de encenderla.
- **Para reducir el riesgo de lesiones,** mantenga a alejados a niños y demás circunstancias. Todos los presentes deben llevar puestos anteojos de seguridad y permanecer a una distancia segura del área de trabajo.
- **Mantenga alejadas del área de trabajo a todas las personas,** particularmente a los niños de corta edad, y también a las mascotas.
- **No haga arrancar o funcionar el motor en un espacio confinado, de edificio, cerca de ventana abiertas, o en otro área sin ventilación** donde se puedan recolectar las emanaciones de monóxido de carbono. El monóxido de carbono, un gas incoloro, inodoro y sumamente peligroso, puede causar la pérdida de la conciencia o la muerte.
- **Use la herramienta adecuada a la tarea.** No fuerce la herramienta ni ningún accesorio a efectuar tareas para las que no están hechos. No la use para propósitos no indicados en las instrucciones.
- **Vístase adecuadamente.** No vista ropas, guantes, corbatas o joyas holgadas. Pueden resultar atrapadas y tirar de usted hacia piezas en movimiento. Se recomiendan guantes y calzado antiderrapantes al trabajar al aire libre. Si tiene el pelo largo cúbrase de alguna manera para contenerlo.
- **No accione el equipo cuando esté descalzo o al llevar puestas sandalias o calzado liviano similar.** Use calzado de seguridad que le proteja sus pies y mejore su postura en superficies resbaladizas.
- **Tenga suma precaución para evitar resbalarse o caer.**
- **Siempre póngase protección ocular con protección lateral con la marca de cumplimiento de la norma ANSI Z87.1.** Con el cumplimiento de esta regla se reduce el riesgo de lesiones corporales serias.
- **No se estire ni se pare en un soporte inestable.** Mantenga una postura firme y buen equilibrio en todo momento.
- **Utilice sólo accesorios recomendados.** El empleo de accesorios inadecuados puede presentar riesgos de lesiones.
- **Siga las instrucciones de la mantenimiento especificadas en este manual.**
- **Inspeccione las piezas dañadas.** Antes de seguir utilizando la herramienta, es necesario inspeccionar cuidadosamente toda protección o pieza dañada para determinar si funcionará correctamente y desempeñará la función a la que está destinada. Verifique la alineación de las partes móviles, que no haya atoramiento de las mismas, que no haya piezas rotas, el montaje de las piezas y cualquier otra condición que pudiera afectar su funcionamiento. Toda protección o pieza que esté dañada debe repararse apropiadamente o reemplazarse en un centro de servicio autorizado.
- **Nunca deje desatendida ninguna herramienta en funcionamiento. Apague la herramienta.** No se aleje de la herramienta hasta no verla completamente detenida.
- **Conserve el motor limpio de césped, hojas o grasa** a fin de reducir el riesgo de incendio.
- **Mantenga el tubo de escape libre de objetos extraños.**
- **Siga las recomendaciones del fabricante para lograr la carga, descarga, transporte y almacenamiento seguros de la máquina.**
- **Familiarícese completamente con los controles.** Aprenda a detener la máquina y a liberar rápidamente la presión.
- **Mantenga la herramienta seca, limpia y libre de aceite y grasa.** Siempre utilice un paño limpio para la limpieza de la unidad. Nunca utilice fluidos para frenos, gasolina, productos a base de petróleo ni solventes para limpiar la herramienta.
- **Permanezca alerta y en control.** Preste atención a lo que esté haciendo y aplique el sentido común. No utilice la herramienta cuando esté cansado. No se apresure.
- **No utilice la unidad si se encuentra bajo los efectos de drogas, alcohol o medicamentos.**
- **Revise el área de trabajo cada vez antes de utilizar esta herramienta.** Retire todos los objetos como piedras, vidrio roto, clavos, alambre o cuerda que puedan salir disparados o enredarse en la máquina.
- **No utilice la herramienta si el interruptor no apaga.** Lleve todo interruptor defectuoso a un centro de servicio autorizado para que lo reparen.
- **Antes de limpiar, reparar o inspeccionar la máquina,** apague el motor y cerciórese de que se hayan detenido todas las partes en movimiento. Desconecte el cable de la bujía, y mantenga dicho cable alejado de la bujía para evitar el arranque accidental de la unidad.
- **Evite tener un entorno de trabajo peligroso.** No utilice herramientas eléctricas en lugares húmedos o mojados ni las exponga a la lluvia. Mantenga bien iluminada el área de trabajo.
- **Nunca utilice la unidad en una atmósfera explosiva.** El chispeo normal del motor podría encender los gases presentes.
- **No utilice la unidad mientras fuma ni cerca de llamas abiertas.**
- **No utilice la unidad cerca de vegetación o ramas secas, paños de textiles ni otros materiales inflamables.**
- **ADVERTENCIA: Riesgo de inyección o de lesión** – No dirija el chorro hacia las personas.

REGLAS DE SEGURIDAD ESPECÍFICAS

- **Sea precavido cuando posicione la lavadora de presión para usarla.** El aire tibio que sale del motor podría causar áreas puntuales descoloridas en el césped.
- **Nunca dirija un chorro de agua en dirección de personas o animales, ni hacia dispositivos eléctricos.**
- **Antes de iniciar cualquier operación de limpieza,** cierre puertas y ventanas. Despeje el área a limpiar y elimine cualesquier desechos, juguetes, muebles de patio u otros objetos que pudiesen crear un peligro.
- **Nunca alce ni transporte una máquina mientras se encuentre en marcha.**
- **Nunca ponga en marcha la máquina** si se ha formado hielo en cualquier parte del equipo.
- **No use soluciones ácidas, alcalinas, solventes, materiales inflamables o de grado industrial** en este producto. Estos productos pueden causar lesiones físicas al operador y daños irreparables a la máquina.
- **Siempre ponga en marcha la máquina** en superficies niveladas. Si el motor se encuentra inclinado, podría agarrotarse debido a la lubricación insuficiente (incluso con el nivel de aceite al máximo).
- **ADVERTENCIA: Los chorros de alta presión pueden ser peligrosos si se utilizan indebidamente.** Nunca dirija el chorro a personas, animales, dispositivos eléctricos ni a la máquina misma.
- **Sujete el mango y el tubo firmemente con ambas manos.** Se espera que el mango del gatillo se mueva cuando se tire del gatillo como consecuencia de las fuerzas de reacción. La inobservancia de esta advertencia podría causar pérdida de control y lesiones a usted y a otras personas.
- **Nunca intente efectuar ajuste alguno mientras el motor está en marcha** (excepto cuando así lo recomiende específicamente el fabricante).
- **Cuando el motor esté en marcha, es imperativo que las cubiertas de protección cubran las partes en movimiento.**
- **Mantenga la entrada de aire de enfriamiento** (el área del arrancador retráctil) y el lado del silenciador alejados un mínimo de 91 cm (tres pies) de cualquier edificación, obstrucciones y otros objetos combustibles.
- **Mantenga alejado el motor de materiales inflamables y de otros materiales peligrosos.**
- **Evite el contacto con las partes calientes de la unidad.** El silenciador y otras partes del motor se calientan mucho; tenga precaución.
- **No toque la bujía ni el cable de ignición** durante el arranque ni durante el funcionamiento del motor.
- **Cada vez antes de usar la unidad, inspeccione las mangueras de combustible y los acoplamientos pertinentes** para verificar que no estén flojos ni haya derrames de combustible.
- **Antes de cada uso, inspeccione los pernos y las tuercas** para verificar que están apretados. Una tuerca o perno sueltos pueden causar problemas graves en el motor.
- **Siempre reabastezca el combustible al aire libre.** Nunca reabastezca el combustible en espacios interiores ni en áreas con ventilación insuficiente.
- **Nunca guarde la máquina con combustible en el tanque dentro de un edificio** donde haya presentes fuentes de ignición, como el agua caliente y calentadores locales, secadoras de ropa y cosas parecidas.
- **Si es necesario vaciar el tanque de combustible, hágalo al aire libre.**
- **Para reducir el riesgo de incendio o de lesiones por quemadura,** maneje con cuidado el combustible. Es sumamente inflamable.
- **No fume mientras esté mezclando el combustible o reabasteciendo el tanque.**
- **Reabastezca de combustible la unidad antes de arrancar el motor.** Nunca retire la tapa del tanque de combustible ni lo reabastezca mientras esté encendida o caliente la unidad.
- **Afloje la tapa del tanque de combustible lentamente** para aliviar la presión y evitar que se escape combustible por la tapa.
- **Vuelva a colocar firmemente la tapa del tanque de combustible y la del recipiente.**
- **Limpie todo el combustible que se haya derramado de la unidad.** Aléjese por lo menos 9 metros (30 pies) del sitio de reabastecimiento de combustible antes de encender el motor.
- **Si se derrama combustible,** no intente arrancar el motor; aleje la máquina del área del derramamiento y evite causar una fuente de ignición hasta que se disipen los vapores del combustible.
- **Nunca intente en ninguna circunstancia eliminar el combustible derramado quemándolo.**
- **Antes de guardar la unidad deje que se entrie el motor y drene el combustible de la unidad.**
- **Guarde la unidad en un lugar frío y bien ventilado,** a una distancia segura de todo equipo generador de chispas o llamas.
- **Guarde el combustible en recipientes diseñados** específicamente para tal fin.
- **Antes de transportar la unidad en un vehículo, vacíe el tanque de combustible e inmovilícelo.**
- **Al dar servicio a la unidad, sólo utilice piezas de repuesto idénticas.** El empleo de piezas diferentes puede causar un peligro o dañar el producto.
- **Use SOLAMENTE agua fría.**
- **Asegúrese de que haya una distancia mínima de 914 mm (tres pies)** de todo material combustible.
- **Nunca rocíe cierra a la superficie** para ser limpiado como usted puede dañar la superficie.
- **Luego de detener el motor, siempre presione el gatillo ubicado en el mango del gatillo para aliviar la presión acumulada en la manguera de alta presión.** La inobservancia de esta advertencia puede causar lesiones personales graves.
- **Para usarse sólo en el exterior.**
- **Asegúrese de que la manguera de alta presión esté conectada adecuadamente antes de usar el producto.**
- **Guarde estas instrucciones.** Consúltelas frecuentemente y utilícelas para instruir a otros usuarios. Si presta a alguien esta herramienta, facilítele también las instrucciones.

SÍMBOLOS

Las siguientes palabras de señalización y sus significados tienen el objeto de explicar los niveles de riesgo relacionados con este producto.



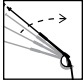


SÍMBOLO	SEÑAL	SIGNIFICADO
	PELIGRO:	Indica una situación peligrosa inminente, la cual, si no se evita, causará la muerte o lesiones serias.
	ADVERTENCIA:	Indica una situación peligrosa posible, la cual, si no se evita, podría causar la muerte o lesiones serias.
	PRECAUCIÓN:	Indica una situación potencialmente peligrosa la cual, si no se evita, puede causar lesiones leves o moderadas.
	AVISO:	(Sin el símbolo de alerta de seguridad) Indica información importante no relacionada con ningún peligro de lesiones, como una situación que puede ocasionar daños físicos.

Es posible que se empleen en esta producto algunos de los siguientes símbolos. Le suplicamos estudiarlos y aprender su significado. Una correcta interpretación de estos símbolos le permitirá utilizar mejor y de manera más segura la producto.

SÍMBOLO	NOMBRE	DENOMINACIÓN/EXPLICACIÓN
	Alerta de seguridad	Indica un peligro posible de lesiones personales.
	Lea manual del operador	Para reducir el riesgo de lesiones, el usuario debe leer y comprender el manual del operador antes de usar este producto.
	Protección ocular	Siempre póngase protección ocular con protección lateral con la marca de cumplimiento de la norma ANSI Z87.1.
	Alerta de condiciones húmedas	No exponga la unidad a la lluvia ni la use en lugares húmedos.
	Superficie caliente	Para reducir el riesgo de lesiones corporales o daños materiales evite tocar toda superficie caliente.
	Riesgo de inyecciones	Para reducir el riesgo de una inyección o lesión, nunca dirija un chorro de agua hacia personas o mascotas ni ponga ninguna parte del cuerpo en el chorro. Las fugas presentes en mangueras y acopladores también pueden causar lesiones por inyección. No sujete ninguna manguera ni acoplador.
	Riesgo de explosión	El combustible y los vapores del mismo son explosivos y pueden causar quemaduras graves e incluso la muerte.

SÍMBOLOS

Es posible que se empleen en esta producto algunos de los siguientes símbolos. Le suplicamos estudiarlos y aprender su significado. Una correcta interpretación de estos símbolos le permitirá utilizar mejor y de manera más segura la producto.

SÍMBOLO	NOMBRE	DENOMINACIÓN/EXPLICACIÓN
	Riesgo de incendio	El combustible y los vapores del mismo son extremadamente inflamables y explosivos. El fuego puede causar quemaduras graves e incluso la muerte.
	Emanaciones tóxicas	Los aparatos de gasolina emiten monóxido de carbono, un gas tóxico incoloro e inodoro. Si se inhala monóxido de carbono puede causarse náusea, desmayo o la muerte.
	Contragolpe	Para reducir el riesgo de lesiones por un contragolpe, sujete firmemente el tubo rociador con ambas manos cuando esté encendida la máquina.
	Descarga eléctrica	Si no se usa la unidad en condiciones secas y no se observan prácticas seguras de trabajo, puede producirse una descarga eléctrica.
	Quemaduras químicas	Para reducir el riesgo de lesiones o daños físicos, NO USE SOLUCIONES ÁCIDAS, ALCALINAS, BLANQUEADORES, SOLVENTES, MATERIALES INFLAMABLES O DE GRADO INDUSTRIAL en este producto.

CARACTERÍSTICAS

ESPECIFICACIONES DEL PRODUCTO

Capacidad del tanque de combustible	0,95 l (0,25 gal.)
Volumen de llenado de aceite	473 á 532 ml (16 á 18 oz)
Bujía de repuesto	F6TC o equivalente
Presión máxima*	2200 psi
Flujo máximo*	7,57 LPM (2,0 gpm)
Temperatura máxima de agua de cala	40 °C (104 °F)

*Máximo que valora determinado por el estándar de PWMA 101

FAMILIARÍCESE CON LA LAVADORA DE PRESIÓN

Vea la figura 1.

Para usar este producto con la debida seguridad se debe comprender la información indicada en la herramienta misma y en este manual, y se debe comprender también el trabajo que intenta realizar. Antes de usar este producto, familiarícese con todas las características de funcionamiento y normas de seguridad del mismo.

TANQUE DE COMBUSTIBLE

Este tanque de combustible tiene una capacidad de 0,95 litros (0,25 gal). Use gasolina sin plomo para vehículos.

ESCUADRA DE SOPORTE PARA ALMACENAMIENTO

Después de enrollar la manguera de alta presión, cuélguela en la escuadra de soporte para almacenamiento para facilidad de almacenamiento.

INTERRUPTOR DE ENCENDIDO Y APAGADO

Para apagar el motor, presione el interruptor ON/OFF (de encendido y apagado).

MANGO DEL ARRANCADOR CON CUERDA

Con un tirón del mango del arrancador con cuerda se arranca el motor.

VÁLVULA DE SEGURIDAD TÉRMICA

Este dispositivo de la bomba evita que la temperatura del agua alcance un nivel peligroso; para ello, deja salir una pequeña cantidad de agua por una manguera de caucho. Una vez salida el agua, la válvula de seguridad térmica se reinicializa automáticamente.

GATILLO CON SEGURO

El tubo rociador dispone de una superficie de sujeción ranurada la cual proporciona control adicional de dicho tubo y reduce la fatiga del operador. El mango del gatillo y el tubo rociador tienen áreas de almacenamiento situadas a los lados de la máquina.

GÂCHETTE AVEC VERROUILLAGE

Appuyer sur la gâchette pour produire un jet d'eau à haute pression pour le nettoyage. Le verrouillage constitue une protection contre toute utilisation non autorisée.

ARMADO

DESEMPAQUETADO

Este producto requiere armarse.

- Extraiga cuidadosamente de la caja la herramienta y los accesorios. Asegúrese de que estén presentes todos los artículos enumerados en la lista de empaquetado.

ADVERTENCIA:

No utilice este producto si alguna pieza incluida en la lista de contenido ya está ensamblada al producto cuando lo desempaqueta. El fabricante no ensambla las piezas de esta lista en el producto. Éstas deben ser instaladas por el usuario. El uso de un producto que puede haber sido ensamblado de forma inadecuada podría causar lesiones personales graves.

NOTA: Esta herramienta es pesada. Para evitar sufrir lesiones en la columna, levante con las piernas, no con la espalda, y obtenga ayuda cuando sea necesario.

- Inspeccione cuidadosamente la herramienta para asegurarse de que no haya sufrido ninguna rotura o daño durante el transporte.

- No deseche el material de empaquetado hasta que haya inspeccionado cuidadosamente la herramienta y la haya utilizado satisfactoriamente.
- Si hay piezas dañadas o faltantes, le suplicamos llamar al 1-800-242-4672, donde le brindaremos asistencia.

LISTA DE EMPAQUETADO

Lavadora de presión
Manguera de alta presión de 7,6 m (25 pies)
Mango del gatillo
Tubo rociador
Boquilla de conexión rápida con su compartimiento (3)
Manguera de inyección
Rueda (2)
Eje (2)
Pasador de enganche (2)
Aceite para motor de 4 tiempos (SAE 30)
Mango telescópico
Manual del operador

ARMADO

ADVERTENCIA:

Si hay piezas dañadas o faltantes, no utilice esta herramienta sin haber reemplazado todas las piezas. Usar este producto con partes dañadas o faltantes puede causar lesiones serias al operador.

ADVERTENCIA:

No intente modificar esta herramienta ni hacer accesorios no recomendados para la misma. Cualquier alteración o modificación constituye maltrato, el cual puede causar una condición peligrosa, y como consecuencia posibles lesiones serias.

ADVERTENCIA:

Para evitar un arranque accidental que podría causar lesiones corporales graves, siempre desconecte el cable de la bujía del motor de la bujía misma al ensamblar las piezas.

HERRAMIENTAS NECESARIAS

Vea la figura 1a.

Para armar la unidad se necesitan las siguientes herramientas (no incluido o dibujado para escalar):

- Llave de 7/16 pulg.
- Destornillador Phillips

MONTAJE DEL CONJUNTO DE LAS RUEDAS

Vea la figura 2.

- Localice el eje, los pasadores de enganche y las ruedas. Retire del eje el pasador de enganche.
- Luego pase el eje a través del agujero situado en el centro de la rueda.
- Levante la máquina e introduzca el conjunto del eje, la rueda y la arandela en el agujero de montaje de la rueda situado en la base de la máquina, como se muestra.
- Empuje el pasador de enganche hacia adentro del agujero del extremo del eje para asegurar el conjunto de las ruedas.

NOTA: Debe introducirse el pasador de enganche en el eje hasta que el centro de aquél descansa en la parte superior de éste.

- Repita el proceso con la segunda rueda.

INSTALACIÓN DEL MANGO TELESCÓPICO

Vea la figura 3.

- Alinee las flechas en el mango en "U" con las flechas en la espalda del marco.
- El empujón y tiene el botón en el asidero como usted desliza el asidero en los hoyos en el marco.
- Fije el mango en su lugar; para ello, alinee la ranura de la tapa de aseguramiento del mango con el pasador de la barra del alojamiento. En seguida empuje la tapa de

aseguramiento del mango hacia abajo mientras gira a la derecha dicha tapa.

NOTA: Tire del mango hacia arriba hasta que el botón de aseguramiento pase a través de la ranura correspondiente y asegure el mango en su lugar.

CÓMO CONECTAR LA MANGUERA DE INYECCIÓN DE DETERGENTE

Vea la figura 4.

Para poder utilizar detergente con esta máquina debe estar conectada la manguera de inyección de detergente.

- Monte firmemente el extremo abierto de la manguera de inyección de detergente en el conector anillado, como se muestra.

NOTA: Mantenga flexible d'injection lejos de superficies calientes.

- Coloque en la botella de detergente el extremo correspondiente al filtro de la manguera de inyección.

ENSAMBLAJE DEL TUBO ROCIADOR CON EL MANGO DEL GATILLO

Vea la figura 5.

- Introduzca el extremo roscado del tubo rociador en el conector en el extremo del mango del gatillo.
- Gire el conector hacia la derecha hasta que se detenga. Esta acción coloca en su lugar el tubo rociador.
- Cuando no esté en uso, retire el tubo rociador del mango del gatillo girando el conector hacia la izquierda. Cuando no estén en uso, guarde cada pieza en el área de almacenamiento a los lados del bastidor de la lavadora de presión.

CÓMO CONECTAR LA MANGUERA DE ALTA PRESIÓN AL CONJUNTO DEL TUBO ROCIADOR

Vea la figura 6.

- Enrosque el casquillo de la manguera de alta presión en el acoplador de entrada del tubo rociador; para ello, gire a la derecha el casquillo de la manguera. Apriete firmemente.

NOTA: Tenga cuidado de no trasroscar la rosca, ya que esto podría provocar que el mango del gatillo pierda durante su uso.

- Tire de la manguera para asegurarse de que esté debidamente asegurada.

CONECTAR DE LA MANGUERA DE ALTA PRESIÓN A LA BOMBA

Vea la figura 7.

- Desenrolle y enderece completamente la manguera de alta presión para evitar la formación de acodaduras.

NOTA: Vea **Uso de la manguera de alta presión** en la sección *Funcionamiento* para obtener más información sobre el uso de la manguera de alta presión.

ARMADO

- Alinee el casquillo con la conexión roscada de la bomba.
- Coloque el extremo del casquillo de la manguera de alta presión en la conexión roscada.
- Gire a la derecha el casquillo y fije firmemente la manguera a la bomba.

NOTA: Tenga cuidado de no trasroscar la rosca, ya que esto podría provocar que la manguera pierda durante su uso.

- Tire de la manguera para asegurarse de que esté debidamente asegurada.

CÓMO CONECTAR UNA MANGUERA DE JARDÍN A LA LAVADORA DE PRESIÓN

Vea la figura 8.

AVISO:

Siempre observe las normas locales cuando conecte las mangueras a la tubería principal de agua. En algunas áreas existen restricciones para la conexión directa al suministro público de agua potable a fin de evitar la retroalimentación de químicos al suministro de agua potable. La conexión directa a través de un tanque receptor o de una válvula contra reflujo suele estar permitida.

El suministro de agua debe venir de la tubería principal de agua. NUNCA use agua caliente o agua de piscinas, lagos, etc. Antes de conectar una manguera de jardín a la lavadora de presión:

- Deje correr agua por la manguera durante 30 segundos para limpiar toda la basura que pueda haber en el interior de la misma.

- Inspeccione el cedazo de la entrada de agua.
- Si está dañado el cedazo, no utilice la máquina sino hasta haber reemplazado aquél.
- Si está sucio el cedazo, límpielo antes de conectar la manguera de jardín a la máquina.

Para conectar una manguera de jardín a la máquina:

- Desenrolle y enderece completamente la manguera de alta presión para evitar la formación de acodaduras.

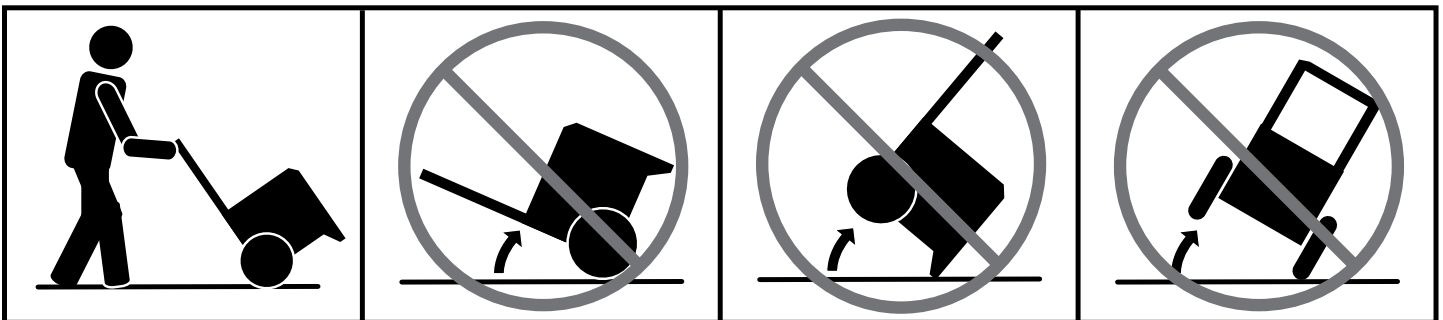
NOTA: Debe haber un mínimo de 3 metros (10 pies) de manguera sin ninguna restricción en el flujo de la misma, entre la entrada de la lavadora de presión y el grifo o válvula de cierre (como un conector de cierre en "Y").

- Teniendo el grifo de la manguera completamente cerrado, conecte el extremo de la manguera de jardín a la entrada de agua. Efectúe el apriete con la mano.

AVISO:

No haga funcionar la bomba de la lavadora a presión sin que el suministro de agua esté conectado y encendido, dado que esto puede dañar los sellos de alta presión y disminuir la vida útil de la bomba. Desenrolle completamente la manguera de su carrete o espiral y asegúrese de que la manguera no esté restringida por neumáticos, rocas ni cualquier otro objeto que pueda disminuir o impedir el flujo de agua a la lavadora a presión.

¡NO INCLINE DEMASIADO LA UNIDAD!



FUNCIONAMIENTO

ADVERTENCIA:

No permita que su familiarización con las herramientas lo vuelva descuidado. Tenga presente que un descuido de un instante es suficiente para causar una lesión grave.

ADVERTENCIA:

Siempre póngase protección ocular con protección lateral con la marca de cumplimiento de la norma ANSI Z87.1. Si no cumple esta advertencia, los objetos que salen despedidos pueden producirle lesiones serias en los ojos.

ADVERTENCIA:

No utilice ningún aditamento o accesorio no recomendado por el fabricante de esta herramienta. El empleo de aditamentos o accesorios no recomendados podría causar lesiones serias.

ADVERTENCIA:

Nunca dirija un chorro de agua en dirección de personas o animales, ni hacia dispositivos eléctricos. La inobservancia de esta advertencia podría causar lesiones serias.

USOS

Puede usar esta herramienta en la casa para limpiar la mayoría de las superficies exteriores horizontales o verticales grandes o pequeñas, las estructuras y objetos exteriores pequeños y las herramientas y equipos para uso al aire libre.* Puede:

- Limpiar o quitar moho y hongos de terrazas, caminos de entrada, patios, caminos, aceras y otras superficies desgastadas.
- Quitar la suciedad de diversas superficies exteriores verticales tales como exteriores de casas, revestimientos de muros exteriores, cercas, paredes de ladrillo, hormigón o piedra, etc.
- Limpiar botes, muebles de patio, equipos de jardinería eléctricos o no, canalones, paneles de ventanas, parrillas, juegos para niños, etc.

*Siempre pruebe primero en un área poco notoria.

ABASTECIMIENTO DE LUBRICANTE DEL MOTOR

Vea la figura 9.

NOTA: Esta máquina se embarcó con cerca de dos onzas de lubricante de las pruebas en el motor. **Es necesario abastecer de lubricante el motor antes de arrancarlo por primera vez.**

AVISO:

Cualquier intento de arrancar el motor sin abastecerlo de lubricante puede causar la descompostura del mismo.

- Coloque la lavadora de presión sobre una superficie horizontal nivelada. No la incline.
- Desenrosque la tapa del aceite con varilla de nivel; para ello, gírela a la izquierda.
- Vierta el lubricante para motor de cuatro tiempos (SAE 30 o SAE 10W30), agregue lubricante de motor hasta que el nivel de líquido se eleve hasta la porción superior del área cubierta de la varilla de nivel (se suministran 18 onzas de lubricante para motor de cuatro tiempos). **No lo llene en exceso.**
- Vuelva a colocar la tapa del aceite con varilla de nivel y apriétela firmemente.

AVISO:

No lo llene excesivamente. Llenar excesivamente el cárter puede producir humo en exceso y daños en el motor.

COMBUSTIBLES OXIGENADOS

AVISO:

No utilice combustibles E15 o E85 (ni combustibles que contengan más de 10 % de etanol) con este producto. Esto constituye una violación a la ley federal, dañará la unidad y anulará la garantía.

No están cubiertos en la garantía los problemas de desempeño o daños al sistema de combustible producidos por el uso de un combustible oxigenado con un contenido superior a los porcentajes de alcohol o compuesto de éter señalados abajo.

Etanol. Las gasolinas con un contenido de 10% de etanol por volumen (comunmente conocida como E10) es aceptables. **Las gasolinas E15 y E85 no lo son.**

ABASTECIMIENTO DEL TANQUE DE GASOLINA

Vea la figura 12.

ADVERTENCIA:

La gasolina y los vapores de la misma son extremadamente inflamables y explosivos. Para evitar lesiones y daños físicos serios, maneje con cuidado la gasolina. Manténgala lejos de fuentes de ignición, manéjela solamente al aire libre, no fume mientras vierta la gasolina y limpie de inmediato cualquier derramamiento que ocurra.

Al abastecer de gasolina la lavadora de presión, asegúrese de que la unidad esté asentada en una superficie horizontal nivelada. Si está caliente el motor, permita que se enfríe la

FUNCIONAMIENTO

lavadora de presión antes de reabastecerla de gasolina. SIEMPRE llene el tanque al aire libre y teniendo apagada la máquina.

NOTA: Este es un motor de cuatro tiempos. NO mezcle el lubricante y el combustible.

- Mezcle el estabilizador de combustible con la gasolina de acuerdo con las instrucciones del fabricante del estabilizador de combustible.
- Antes de retirar la tapa del combustible, limpie el área circundante de la unidad. Retire la tapa del combustible.
- Introduzca un embudo limpio en el tanque de combustible y después vierta lentamente la gasolina en el tanque. Llene el tanque hasta una altura aproximada de 38 mm (1-1/2 pulg.) abajo de la parte superior del cuello del tanque (para permitir la expansión del combustible).
- Reemplace la tapa de combustible y ajústela hasta que la tapa haga un sonido de "clic".
- Limpie todo combustible derramado antes de encender la máquina.

ADVERTENCIA:

Siempre apague el motor antes de abastecer el combustible. Nunca agregue combustible a una máquina con el motor en marcha o caliente. Aléjese por lo menos 9 metros (30 pies) del sitio de reabastecimiento de combustible antes de encender el motor. ¡No fume y evite las llamas abiertas! La inobservancia de esta advertencia puede causar lesiones serias.

ENCENDIDO Y APAGADO DE LA LAVADORA DE PRESIÓN

Vea las figuras 11 y 12.

AVISO:

No haga funcionar la bomba de la lavadora a presión sin que el suministro de agua esté conectado y encendido, dado que esto puede dañar los sellos de alta presión y disminuir la vida útil de la bomba. Desenrolle completamente la manguera de su carrete o espiral y asegúrese de que la manguera no esté restringida por neumáticos, rocas ni cualquier otro objeto que pueda disminuir o impedir el flujo de agua a la lavadora a presión.

Antes de arrancar el motor:

- Conecte todas las mangueras.
- Revise todos los fluidos (lubricante y gasolina).
- Abra el grifo del agua y luego oprima gatillo para purgar la presión de aire; mantenga oprimido el gatillo hasta que aparezca un chorro de agua estable.

NOTA: Asegúrese de que el grifo esté abierto completamente y de que no haya acodaduras o pérdidas en la manguera.

Para arrancar el motor:

- Presione la bomba de cebado de 3 veces.
NOTA: Si va a arrancar el motor por primera vez, oprima cinco veces la bomba de cebado.
- Coloque el interruptor de encendido y apagado en la posición ON (encendido).
- Sujete el arrancador retráctil y tire lentamente hasta que encuentre resistencia. Dé al arrancador retráctil un tirón corto y enérgico para arrancar el motor.
NOTA: No permita que el mango del arrancador con cuerda vuelva a calzar en su lugar una vez encendido. Colóquelo nuevamente en su lugar original con cuidado.

AVISO:

Si el motor no arranca luego de tirar del mango del arrancador con cuerda, apriete el gatillo para liberar la presión del agua antes de intentar arrancar el motor nuevamente.

Para apagar el motor:

- Ponga el interruptor de encendido y apagado en la posición OFF (apagado).
- Apague la lavadora de presión y cierre el suministro de agua.

ADVERTENCIA:

Tanto en funcionamiento como al guardarlo, mantenga siempre 91,4 cm (3 pies) de espacio libre en todos los laterales de este producto, incluida la parte superior. Espere al menos 30 minutos para el equipo se enfríe antes de guardarlo. El calor generado por el silenciador y los gases de escape puede ser suficiente para causar quemaduras graves y/o prender fuego a objetos combustibles.

USO DEL MANGO DEL GATILLO

Vea la figura 13.

Para mayor control y seguridad, mantenga ambas manos en el mango de gatillo todo el tiempo.

- Para iniciar el chorro de agua, oprima y no suelte el gatillo.
- Para interrumpir el flujo del chorro de agua por la boquilla, suelte el gatillo.

Para accionar el seguro:

- Suba el seguro hasta dejarlo trabado en la ranura.

Para quitar el seguro:

- Baje el seguro a su posición original.

Para utilizar el tubo rociador, comience con la boquilla a una distancia de entre 30 y 60 cm (1 y 2 pies) de la superficie a limpiar. Acérquese a la superficie justo lo suficiente para alcanzar el nivel de limpieza deseado. Si está demasiado cerca el chorro, puede dañar la superficie que está limpiándose.

FUNCIONAMIENTO

SELECCIÓN DE LA BOQUILLA CORRECTA DE CONEXIÓN RÁPIDA PARA CADA TRABAJO

Vea la figura 14.

Antes de empezar cualquier trabajo de limpieza, determine cuál es la mejor boquilla para el trabajo. Cada una de las tres boquillas tiene un patrón de rociado diferente. Los patrones de rociado son: 0° (presión alta), 25° (presión mediana), detergente (presión baja).

Boquilla	Aplicación
0° Rojo	Limpieza de puntos concentrados en áreas altas y difíciles de alcanzar <ul style="list-style-type: none">• Eliminación de tierra seca proveniente de grandes equipos rurales, de construcción o de jardinería• Limpieza de alquitrán, pegamento o manchas persistentes de concreto• Limpieza de áreas elevadas• Eliminación de herrumbre del acero y de óxido del aluminio
25° Verde	Para usos generales o grandes superficies <ul style="list-style-type: none">• Limpieza general de suciedad y tierra• Limpieza de techos, canalones y bajantes• Eliminación de manchas ligeras de moho• Eliminación de algas y bacterias acumuladas en piscinas• Enjuague de superficies en preparación para ser pintadas
Detergente (Negro)	Para todas las aplicaciones y detergente suave para lavar

NOTA: Para dar una enjuagada suave, escoja la boquilla para detergente. Para restregar la superficie se requiere un chorro de agua más directo. Para trabajos más intensos escoja la boquilla de 0°. Aplique detergente con la boquilla correspondiente.

ADVERTENCIA:

NUNCA cambie boquillas sin trabar el seguro de apagado en el mango de gatillo y NUNCA apunte el rociador hacia su cara o la de otros. La característica de conexión rápida contiene resortes pequeños que pueden expulsar la boquilla con cierta fuerza. La inobservancia de esta advertencia podría causar lesiones personales.

Para conectar una boquilla el mango de gatillo:

- Apague la lavadora de presión y cierre el suministro de agua. **Oprima el gatillo para purgar el agua.**
- Accione el seguro el el mango de gatillo; para ello, suba aquél hasta que se trabe en la ranura.

- Tire del collar de conexión rápida.
- Introduzca la boquilla en su lugar en el tubo rociador.
- Empuje del collar adelante para que la boquilla quede correctamente asegurada. Asegúrese de que la boquilla esté asegurada.

Para desconectar la boquilla el mango de gatillo una vez comenzado el trabajo de limpieza:

- Apague la lavadora de presión y cierre el suministro de agua. Oprima el gatillo para purgar el agua.
- Accione el seguro el el mango de gatillo; para ello, suba aquél hasta que se trabe en la ranura.
- Para quitar la boquilla, coloque la mano sobre ella y a continuación tire del collar de conexión rápida. Coloque la boquilla en el lugar donde se guardan éstas, en la parte superior de la máquina.

USO DE LA MANGUERA DE ALTA PRESIÓN

La manguera de alta presión tiene un revestimiento externo que la fortalece. Si el revestimiento externo se daña, se debe reemplazar la manguera inmediatamente. **No use la manguera de alta presión si el revestimiento externo está dañado.**

Para evitar que el revestimiento externo se dañe:

- Inspeccione la manguera antes de cada uso.
- Desenrosque y estire la manguera antes de usarla.
- Evite que la manguera de alta presión se retuerza.
- Mantenga la manguera alejada de superficies calientes y bordes filosos.
- No arrastre la unidad cerca de la manguera de alta presión.
- Evite que otros objetos aplasten la manguera o que ésta se enrede con otros objetos.

TRASLADO DE LA LAVADORA DE PRESIÓN

Vea la figura 15.

NOTA: Nunca alce o mueva este producto tomándolo por el mango móvil.

- Apague la lavadora de presión.
- Párese detrás de la máquina y sujete firmemente con ambas manos el mango y tire de éste hacia arriba hasta que se ajuste con un chasquido.
- Incline la máquina hacia usted hasta equilibrarla sobre las ruedas y después empújela a la posición deseada. No incline la máquina hacia delante o hacia los lados mientras la mueve.
- NO trate de mover la unidad tirando de ninguna de las mangueras.

FUNCIONAMIENTO

LAVADO CON DETERGENTE

Veá la figura 16.

Use sólo detergentes diseñados para lavadoras de presión; los detergentes caseros, soluciones ácidas, alcalinas, blanqueadores, solventes, materiales inflamables o de grado industrial pueden dañar la bomba. Numerosos detergentes requieren mezclarse antes de usarse. Prepare la solución de limpieza de conformidad con las instrucciones de la botella correspondiente. Siempre pruebe en un área poco notoria antes de comenzar la limpieza.

- Coloque la manguera de inyección de detergente en la parte inferior de la botella o recipiente del detergente.
- Coloque la boquilla negra en el tubo rociador.
- Oprima el gatillo y espere aproximadamente 5 segundos a que comience a salir detergente.
- Rocíe el detergente en una superficie seca, con pasadas largas uniformes traslapadas. Para evitar la formación de franjas, no permita que seque el detergente en la superficie.

Antes de apagar el motor:

- Coloque la manguera de inyección de detergente en un balde de agua limpia.
- Lávela internamente durante uno o dos minutos (expulse agua limpia por el tubo rociador).
- Apague el motor.

NOTA: Apagando el motor --posición (O) del interruptor--, no se purga del sistema la presión interna. **Oprima el gatillo para purgar el agua a presión.**

ENJUAGADO CON LA LAVADORA DE PRESIÓN

- Apague la lavadora de presión y cierre el suministro de agua. Oprima el gatillo para purgar el agua.
- Accione el seguro del tubo; para ello, suba aquél hasta que se traben en la ranura.
- Tire hacia atrás el casquillo y sujételo.
- Retire la boquilla del casquillo tirando de la misma.
- Siempre utilice la boquilla adecuada a la tarea:
 - Use la boquilla de presión baja (la verde) para lavar objetos como un coche o un bote.
 - Use la boquilla de presión alta (la roja) para tareas como desprender pintura o desgrasar el camino de entrada. Cuando utilice estas boquillas, pruebe en un área pequeña primero para evitar dañar la superficie.
- Comience por la parte superior por enjuagar y avance hacia abajo, traslapando cada pasada.

FONCTIONNEMENT À ALTITUDE ÉLEVÉE

Des modifications précises sont nécessaires pour le fonctionnement à altitude élevée. Communiquer avec un centre de réparations agréé pour obtenir les renseignements importants au sujet de ces modifications. Faire fonctionner ce moteur à altitude élevée sans avoir fait les modifications adéquates augmentera les émissions du moteur, augmentera la consommation de carburant et diminuera sa performance.

MANTENIMIENTO

ADVERTENCIA:

Al dar servicio a la unidad, sólo utilice piezas de repuesto idénticas. El empleo de piezas diferentes podría causar un peligro o dañar el producto.

ADVERTENCIA:

Siempre póngase protección ocular con protección lateral con la marca de cumplimiento de la norma ANSI Z87.1. Si no cumple esta advertencia, los objetos que salen despedidos pueden producirle lesiones serias en los ojos.

ADVERTENCIA:

Antes de inspeccionar, limpiar o dar servicio a la máquina, apague el motor, espere a que se detengan todas las piezas en movimiento, desconecte el cable de la bujía y aléjelo de ésta. El incumplimiento de cualquiera de estas instrucciones podría causar lesiones serias.

MANTENIMIENTO GENERAL

Evite el empleo de solventes al limpiar piezas de plástico. La mayoría de los plásticos son susceptibles a diferentes tipos de solventes comerciales y pueden resultar dañados. Utilice paños limpios para eliminar la suciedad, el polvo, el aceite, la grasa, etc.

ADVERTENCIA:

No permita en ningún momento que fluidos para frenos, gasolina, productos a base de petróleo, aceites penetrantes, etc., lleguen a tocar las piezas de plástico. Las sustancias químicas pueden dañar, debilitar o destruir el plástico, lo cual a su vez podría producir lesiones corporales serias.

Solamente las piezas mostradas en la lista de piezas pueden ser reparadas o cambiadas por el consumidor. Todas las piezas restantes deben ser reemplazadas en un centro de servicio autorizado.

Antes de encender el motor realice los siguientes pasos previos:

- Verifique que todos los pernos, tuercas, etc., estén firmemente apretados.
- Asegúrese de que esté limpio el filtro.
- Revise tanto el nivel de aceite del motor como el nivel del tanque de combustible; reabastézcalos según sea necesario.
- Inspeccione el área de trabajo para ver si hay peligros presentes.
- Si hay ruido o vibración excesivos, apague de inmediato la unidad.

LIMPIEZA DEL FILTRO DE AIRE

Vea la figura 17.

Un filtro sucio puede causar dificultades de arranque, pérdida de rendimiento y acortar la vida útil del motor. Inspeccione mensualmente el filtro de aire. Para lograr un desempeño óptimo de la unidad, reemplace el filtro de aire por lo menos una vez al año.

NOTA: NO retire la cubierta, ya que podría desconectar o aflojar el alambre encargado de conectar el interruptor de apagado con el motor, con lo cual quedaría éste sin capacidad de funcionar.

- Presione la traba para abrir la tapa.
- Retire la tapa del filtro de aire.
- Levante el extremo del filtro de aire cuidadosamente para retirar el filtro.
- Limpie el filtro de aire con agua jabonosa tibia.
- Enjuague y deje secar.
- Coloque una pequeña cantidad de lubricante de motor (SAE 30) en la esponja del filtro. Exprima el exceso de lubricante y luego vuelva a instalar el filtro de aire.

NOTA: Asegúrese de que el filtro esté asentado correctamente en el interior de la tapa. Si se instala de forma incorrecta el filtro el polvo entra en el motor y causa un rápido desgaste del mismo.

- Para volver a colocar la tapa del filtro de aire, introduzca las pestañas en las ranuras. Cierre la tapa y empuje la traba hasta que quede ajustada.

ENTRETIEN DE BUSE

Vea la figura 18.

Une pression de pompe excessive (sensation d'impulsion au serrage de la gâchette) peut être le résultat d'une buse bouchée ou sale.

- Arrêter le nettoyeur et fermer l'arrivée d'eau. Appuyer sur la gâchette pour relâcher la pression d'eau.
- Retirer la buse de la lance de pulvérisation.
- **NOTE :** Ne jamais diriger la lance de pulvérisation vers le visage.
- Para liberar la boquilla de las obstrucciones de cualquier material extraño, retire los residuos con una aguja fina.
- À l'aide d'un tuyau d'arrosage, rincer les débris de la buse en rinçant à l'envers (en dirigeant le jet de l'extérieur vers l'intérieur).
- Reconnecter la buse sur la lancette.
- Ouvrir l'arrivée d'eau et démarrer le moteur.

REVISIÓN DE LA BUJÍA

Vea la figura 19.

- Limpie el área alrededor de la base de la bujía antes de retirarla para evitar que la suciedad y los desechos ingresen en el motor. Retire la bujía.
- Limpie los depósitos de carbón de los electrodos de la bujía con un limpiador para bujías o un cepillo de alambre.

MANTENIMIENTO

Reemplace la bujía si está gastada. Para saber cuál es la bujía de recambio correcta, consulte la sección anterior **Especificaciones del producto** de este manual o el manual del motor adjunto, si corresponde.

- Verifique el espacio interelectródico. El espacio interelectródico debe ser de 0,7 mm a 0,8 mm (0,028 in a 0,031 in). Ajuste el espacio, si es necesario, doblando con cuidado el electrodo de conexión a tierra.
- Réinstalar la bujía. Ajuste firmemente.

CAMBIO DE ACEITE DE MOTOR

Vea la figura 20.

- Apague el motor.
- Limpie el área alrededor del tapón de drenaje de lubricante y luego quite el tapón.
- Incline la lavadora a presión sobre el costado, como se muestra. Drene el aceite en un recipiente aprobado.
NOTA: Drene el aceite mientras esté tibio el motor, no caliente. El aceite tibio se drena con mayor facilidad y compleción.
- Después de que el cárter se drene por completo, vuelva a colocar la lavadora a presión en la posición vertical.
- Vuelva a colocar el tapón de drenaje de lubricante.
- Llene con lubricante siguiendo las instrucciones de la sección **Agregado de lubricante al motor**, que aparece más arriba en este manual. Para conocer la cantidad de lubricante que se debe agregar, consulte la sección anterior **Especificaciones del producto** de este manual o el manual del motor adjunto, si corresponde.

NOTA: Consulte las normas de desecho de residuos peligrosos de la localidad donde se encuentre para averiguar la forma correcta de desechar el combustible usado.

LUBRICACIÓN DE LA BOMBA

La bomba de esta herramienta están lubricados con suficiente cantidad de aceite de alta calidad para toda la vida útil de la unidad en condiciones normales de funcionamiento. Por lo tanto, no se necesita lubricación adicional de los cojinetes.

GUARDADO DE LA LAVADORA DE PRESIÓN

Vea la figura 21.

NOTA: El uso regular de estabilizador de combustible y de protector para bombas dará un mejor desempeño a la unidad y alargará la vida útil de la bomba. Vea la Lista de piezas de repuesto para conocer los tamaños disponibles y los números de pieza de estos elementos y llame a servicio al cliente para realizar un pedido.

Permita un período de enfriamiento de 30 minutos antes de guardar la máquina. Guarde la unidad en un lugar seco y cubierto, en el cual no pueda resultar dañada a la intemperie.

Es importante guardar este producto en un área protegida contra la congelación. Siempre vacíe todas las mangueras, la bomba, el tanque de combustible y el balde de detergente antes de guardar la unidad.

- Mantenga encendida la máquina hasta agotar el combustible. La gasolina puede echarse a perder en 30 días.

NOTA: Asegúrese de que el suministro de agua esté conectado y encendido cuando ponga en marcha el motor de la lavadora a presión.

- Asegúrese de que el interruptor de encendido/apagado y la válvula de combustible se en la posición OFF (APAGADO).
- Desconecte la conexión de agua.
- Vacíe la bomba; para ello, tire del arrancador retráctil seis veces aproximadamente. De esta manera se elimina de la bomba la mayoría del líquido.

AVISO:

Se recomienda ampliamente usar un protector luego de cada uso y antes de almacenarla para bombas para evitar daños por bajas temperaturas y en el sello durante el almacenamiento.

- Drene el lubricante y cámbielo por lubricante nuevo y limpio como se explica en el Manual del motor.
- Desconecte el cable de la bujía y retire ésta. Vierta cerca de una cucharada chica de lubricante limpio para motor de cuatro tiempos a través del agujero de la bujía, en el interior de la cámara de combustión.
- Teniendo la bujía afuera, tire de la cuerda del arrancador dos o tres veces para recubrir el interior de la pared del cilindro.
- Inspeccione la bujía y límpiela o reemplácela según sea necesario.
- Vuelva a instalar la bujía, pero deje desconectado el cable de la misma.
- Limpie el filtro de aire.
- Extienda la cuerda del arrancador retráctil para controlar su condición. Si la cuerda está deshilachada, hágala cambiar de inmediato en un centro de servicio autorizado.
- Retire las mangueras. Enrolle las mangueras y guarde como se muestra. No permita que la manguera se retuerza.
- Guarde la unidad y los accesorios en un área que esté protegida contra las temperaturas bajo cero. No la guarde cerca de hornos u otras fuentes de calor que pueda secar los sellos de la bomba.

PREPARACIÓN DE LA UNIDAD PARA USARLA DESPUÉS DE TENERLA GUARDADA

- Tire del arrancador retráctil tres o cuatro veces para limpiar el aceite de la cámara de combustión.
- Retire la bujía del cilindro. Limpie el aceite de la bujía y vuelva a ponerla en el cilindro.
- Vuelva a conectar el cable de la bujía.
- Reabastezca de combustible la máquina de la forma descrita anteriormente en el manual del operador.

MANTENIMIENTO

CALENDARIO DE MANTENIMIENTO PERIÓDICO

Artículos de mantenimiento Perform at every indicated month or operating hour interval, whichever comes first	Antes de cada uso	Primer mes o 5 horas	Cada 3 meses o 25 horas	Cada 6 meses o 50 horas	Cada año o 100 horas	Cada 2 años o 250 horas
Revise y reabastezca el lubricante de motor	•					
Cambie el lubricante de motor*		•		•		
Revisar el filtro de aire	•					
Limpie el filtro de aire			•			
Reemplace el elemento del filtro de aire						•
Limpie y ajuste la bujía y los electrodos					•	
Reemplace la bujía						•

*Cambiar el aceite del motor cada 25 horas cuando se utiliza bajo carga pesada o en la temperatura ambiente elevada. Elimine los desechos de lubricante en forma segura y responsable. No los vierta en los drenajes de aguas cloacales, en la tierra del jardín ni en arroyos de agua abiertos. Los reglamentos locales de zonificación o protección ambiental suministran instrucciones más detalladas sobre la forma correcta de eliminación.

Las tareas de mantenimiento no descritas aquí deben ser llevadas a cabo por el centro de servicio técnico.

SOLUCIÓN DE PROBLEMAS

PROBLEMA	CAUSA	SOLUCIÓN
El motor no arranca	<p>No hay combustible en el tanque</p> <p>Falló o tiene corta la bujía</p> <p>Se rompió la bujía (se rajó la porcelana o se rompieron los electrodos)</p> <p>El cable de ignición tiene corto, está roto o desconectado de la bujía caso</p> <p>El sistema de ignición no funciona</p> <p>La unidad no está cebada</p>	<p>Reabastezca el tanque</p> <p>Reemplace la bujía</p> <p>Reemplace la bujía</p> <p>Reemplace el cable de ignición o conéctelo a la bujía</p> <p>Comuníquese con un centro de servicio autorizaao</p> <p>Presione la bomba de cebado 3 veces (5 veces si arranca el motor por primera vez)</p>
Cuesta trabajo arrancar el motor	<p>Hay agua en la gasolina</p> <p>Está débil la chispa de la bujía</p>	<p>Drene todo el sistema y reabastézcalo con combustible nuevo</p> <p>Comuníquese con un centro de servicio autorizado</p>
Le falta potencia al motor	<p>Está sucio el filtro de aire</p>	<p>Limpie o reemplace el filtro de aire</p>
El detergente no está mezclándose en el rocío	<p>La manguera de inyección del detergente no está sumergida correctamente</p> <p>La boquilla de alta presión es la que está conectada</p>	<p>Introduzca la manguera de inyección en el recipiente o botella del detergente</p> <p>Para aplicar el detergente use la boquilla de baja presión (la negra)</p>
La bomba no genera presión	<p>La boquilla de baja presión es la que está instalada</p> <p>El suministro de agua es inadecuado</p> <p>Présence de fuites dans la ango del gatillo o tubo de rociador</p> <p>Está tapada la boquilla</p> <p>Está defectuosa la bomba</p> <p>Aire en el conductor</p> <p>La manguera tiene pérdidas</p> <p>La manguera está acodada</p>	<p>Reemplácela por la boquilla de alta presión</p> <p>Suministre un flujo de agua adecuado</p> <p>Verifique las conexiones y/o tiene fugas reemplace el mango del gatillo tubo de rociador</p> <p>Limpie la boquilla</p> <p>Comuníquese con un centro de servicio autorizado</p> <p>Oprima el gatillo el mango del gatillo para eliminar el aire del conductor</p> <p>Cambie la manguera</p> <p>Quite la acodadura de la manguera</p>
La máquina no alcanza presión alta	<p>Está demasiado pequeño el diámetro de la manguera de jardín</p> <p>Está restringido el suministro de agua</p> <p>No hay suficiente agua en la entrada</p> <p>Está puesta una boquilla equivocada</p>	<p>Reemplácela con una manguera de 19 mm (3/4 pulg)</p> <p>Revise la manguera de jardín para ver si tiene dobleces, fugas o bloqueos</p> <p>Abra el suministro de agua a toda su capacidad</p> <p>Instale la boquilla de alta presión</p>

GARANTÍA

DECLARACIÓN DE GARANTÍA LIMITADA NO APLICABLE AL MOTOR

Homelite Consumer Products, Inc., ("Homelite") garantiza al comprador original al menudeo que este producto de arandela de presión de marca de HOMELITE carece de defectos en los materiales y mano de obra y acuerda reparar o reemplazar, a la sola discreción de Homelite cualquier producto defectuoso sin cargo alguno dentro del plazo establecido después de la fecha de compra.

- Dos años si el producto se emplea para uso personal, familiar o casero;
- 90 días, si alguno de los productos mencionados arriba se emplean para cualquier otro uso, como el uso comercial o alquiler.

Esta garantía se otorga solamente al comprador original al menudeo, y comienza en la fecha de la compra original al menudeo.

Cualquier pieza de este producto fabricada o suministrada por Homelite y que se encuentre, a juicio razonable de Homelite, defectuosa en materiales o mano de obra será reparada o reemplazada sin cobro de piezas ni mano de obra por parte de un centro de servicio autorizado Homelite.

El producto, incluida toda pieza defectuosa, debe enviarse a un centro de servicio autorizado Homelite dentro del período de la garantía. El costo de enviar el producto al establecimiento para cualquier trabajo cubierto por la garantía así como el gasto de devolverlo al propietario después de la reparación correrán por cuenta del propietario. La responsabilidad de Homelite con respecto a todo reclamo se limita a las reparaciones o remplazo del producto, y ningún reclamo de incumplimiento de la garantía será causante de la cancelación o rescisión del contrato de venta de ningún producto de marca HOMELITE. En el centro de servicio autorizado se requerirá el recibo de compra para respaldar cualquier reclamo al amparo de la garantía. Todo trabajo de garantía debe ser efectuado por un centro de servicio autorizado Homelite.

Esta garantía no cubre ningún producto e marca que haya estado sometido a uso indebido, maltrato, negligencia o accidente, o que haya sido utilizado de cualquier forma contraria a las instrucciones de manejo especificadas en el manual del operador del producto de marca. Esta garantía no cubre ningún daño sufrido por el producto de marca causado por un mantenimiento inadecuado, ni ningún producto los productos de marca que haya sido alterado o modificado de manera que haya resultado afectado desfavorablemente el funcionamiento, el desempeño o la durabilidad del producto, o haya cambiado el uso para el que fue diseñado. La garantía no cubre ninguna reparación necesaria por el desgaste normal ni por el uso de piezas o accesorios que sean incompatibles con el producto de arandela de presión de marca de HOMELITE, o afecten de forma desfavorable su funcionamiento, desempeño o durabilidad.

Además, esta garantía no cubre:

- A. Afinación – Filtros de aire, filtros de combustible, caburadors, bujías
- B. Componentes sujetos a desgaste – Manguera, accesorios conectores, boquillas de rociado, mango del gatillo, mango de rociado, ruedas, cubeta de detergente, tanque de productos químicos

Homelite se reserva el derecho de cambiar o mejorar el diseño de cualquier producto de arandela de presión de marca de HOMELITE sin asumir ninguna obligación de modificar ningún producto fabricado previamente.

TODAS LAS GARANTÍAS IMPLÍCITAS ESTÁN LIMITADAS EN DURACIÓN SEGÚN EL PERÍODO DE GARANTÍA DECLARADA. COMO CORRESPONDE, TODA GARANTÍA IMPLÍCITA, INCLUIDAS LAS DE COMERCIABILIDAD, IDONEIDAD PARA UN PROPÓSITO EN PARTICULAR, O DE CUALQUIER OTRO TIPO, SE DESCONOCE POR COMPLETO DESPUÉS DEL PERÍODO DE GARANTÍA CORRESPONDIENTE DE DOS AÑOS O 90 DÍAS. DE CONFORMIDAD CON ESTA GARANTÍA, LA OBLIGACIÓN DE HOMELITE CONSUMER PRODUCTS, INC. SE LIMITA ESTRUCTIVA Y EXCLUSIVAMENTE A LA REPARACIÓN O REEMPLAZO DE LAS PIEZAS DEFECTUOSAS, Y HOMELITE CONSUMER PRODUCTS, INC. NO ASUME NINGUNA OTRA OBLIGACIÓN, NI AUTORIZA A NADIE ASUMIRLA A NOMBRE DE DICHA COMPAÑÍA. ALGUNOS ESTADOS NO PERMITEN LIMITACIONES EN CUANTO A LA DURACIÓN DE UNA GARANTÍA IMPLÍCITA, POR LO CUAL ES POSIBLE QUE LA LIMITACIÓN ANTERIOR NO SE APLIQUE EN SU CASO. HOMELITE CONSUMER PRODUCTS, INC., NO ASUME NINGUNA RESPONSABILIDAD POR DAÑOS INCIDENTES, CONSECUENTES, NI DE NINGÚN OTRO TIPO, COMO EL GASTO DE DEVOLVER EL PRODUCTO A UN CENTRO DE SERVICIO AUTORIZADO DE HOMELITE® Y LOS GASTOS PARA DEVOLVER DICHO PRODUCTO A SU PROPIETARIO RESPECTIVO, EL TIEMPO DE VIAJE DEL MECÁNICO, LLAMADAS TELEFÓNICAS O TELEGRAMAS, EL ALQUILER DE EQUIPOS SIMILARES DURANTE EL TIEMPO DE REALIZACIÓN DEL SERVICIO EN VIRTUD DE LA GARANTÍA, VIAJES, PÉRDIDAS O DAÑOS A ARTÍCULOS DE PROPIEDAD PERSONAL, PÉRDIDA DE INGRESOS, PÉRDIDA DE USO DEL PRODUCTO, PÉRDIDA DE TIEMPO, O INCONVENIENCIA; ALGUNOS ESTADOS NO PERMITEN LA EXCLUSIÓN NI LA LIMITACIÓN DE LOS DAÑOS DIRECTOS O INDIRECTOS, POR LO CUAL LA LIMITACIÓN O EXCLUSIÓN ANTERIOR QUIZÁS NO SE APLIQUE EN SU CASO.

Esta garantía le confiere derechos legales específicos, y es posible que usted goce de otros derechos, los cuales pueden variar de estado a estado.

Esta garantía se aplica a todos los productos de arandela de presión de marca de HOMELITE distribuido por Homelite Consumer Products, Inc. y vendidos en Estados Unidos, México, y Canadá.

Para localizar el establecimiento de servicio autorizado Homelite más cercano, llame al 1-800-242-4672, o visite nuestro sitio Web en www.homelite.com.

GARANTÍA

DECLARACIÓN DE GARANTÍA DE CONTROL DE EMISIÓN FEDERAL DERECHOS Y OBLIGACIONES DE SU GARANTÍA

La Agencia de Protección Ambiental de los EE. UU. (EPA), junto con Chongqing Dajiang Power Equipment Co., Ltd (en adelante, "Dajiang") se complacen en explicar la garantía del sistema de control de emisiones de su nuevo y pequeño motor todo terreno. Los nuevos y pequeños motores todo terreno deben ser diseñados, fabricados y equipados para cumplir con los estrictos estándares antismog del gobierno federal. Dajiang garantiza el funcionamiento del sistema de control de emisiones en su motor por los períodos de tiempo que se detallan a continuación, siempre que el motor no haya sufrido maltratos, negligencia ni se le hayan realizado modificaciones inapropiadas o un mantenimiento inadecuado.

Su sistema de control de emisiones puede incluir piezas tales como el carburador, el encendido y los sistemas de entrada y salida. En caso de que se presente una condición cubierta por la garantía, Dajiang reparará su motor sin costo alguno por el diagnóstico, el reemplazo de las piezas y la mano de obra.

COBERTURA DE LA GARANTÍA DEL SISTEMA DE CONTROL DE EMISIONES DEL FABRICANTE:

Como se detalla a continuación, los sistemas de control de emisiones de los motores modelo 2011 y posteriores están cubiertos por una garantía de dos años. Si se comprueba que, durante este período de garantía, algún sistema o componente del motor relacionado con la emisión tiene defectos en material y mano de obra, un establecimiento de servicio autorizado por la garantía Dajiang realizará las reparaciones o los reemplazos correspondientes.

RESPONSABILIDADES DEL COMPRADOR/PROPIETARIO CON RESPECTO A LA GARANTÍA:

Como comprador/propietario del pequeño motor todo terreno, usted es responsable de realizar todos los servicios de mantenimiento requeridos que figuran en el manual del propietario provisto por el fabricante. A fines de la garantía, Dajiang le recomienda que conserve todos los recibos de los servicios de mantenimiento de su motor. Sin embargo, Dajiang no puede negar la prestación del servicio de garantía solamente porque usted no tenga los recibos o porque no haya realizado todos los mantenimientos programados.

No obstante, como comprador/propietario del pequeño motor todo terreno, tenga en cuenta que Dajiang puede negar una parte o toda la cobertura o la responsabilidad de la garantía si el motor o una de sus piezas o componentes falla como resultado de abuso, negligencia, mantenimiento inadecuado, modificaciones inapropiadas o por el uso de piezas falsificadas u obtenidas del "mercado gris" que Dajiang no ha fabricado, suministrado ni aprobado.

Usted es responsable de presentar su motor en un establecimiento de servicio autorizado por la garantía de Dajiang en cuanto se presente un problema. Las reparaciones cubiertas por la garantía deben realizarse dentro de un límite de tiempo razonable que no puede exceder los 30 días.

Para recibir el servicio de garantía, comuníquese con su vendedor o con un establecimiento de servicio autorizado por la garantía de Dajiang.

NOTA IMPORTANTE: Esta declaración de garantía, otorgada por Dajiang conforme a las leyes federales, explica sus derechos y obligaciones según la Garantía del sistema de control de emisiones (Garantía de ECS). La Garantía de ECS es aplicable sólo para el sistema de control de emisiones de su motor. Si existiera alguna contradicción entre los términos de la Garantía de ECS y la Garantía de Dajiang, se deberá aplicar la Garantía de ECS, excepto en circunstancias donde la Garantía de Dajiang tenga un período de cobertura más prolongado. Las garantías de ECS y de Dajiang describen importantes derechos y obligaciones con respecto a su nuevo motor.

Sólo puede realizar el servicio de garantía un establecimiento de servicio autorizado por la garantía de Dajiang. Al momento de solicitar el servicio de garantía, se debe presentar un comprobante donde figure la fecha en la que el comprador/propietario original realizó la compra. El comprador/propietario debe hacerse cargo de cualquier gasto u otro cargo incurridos por llamadas telefónicas o por el traslado del producto hacia el centro de inspección o reparación, y desde allí. El comprador/propietario también se debe responsabilizar por cualquier daño o pérdida que surja durante el traslado o envío del motor para su inspección o reparación como parte de la cobertura de la garantía.

SI TIENE ALGUNA PREGUNTA CON RESPECTO A LOS DERECHOS Y LAS RESPONSABILIDADES DE LA GARANTÍA, PÓNGASE EN CONTACTO CON DAJIANG O CON UNA DE SUS AGENCIAS llamando al 1-877-NA-DUCAR (1-877-623-8227)

II. GARANTÍA DEL SISTEMA DE CONTROL DE EMISIONES

Garantía del sistema de control de emisiones (Garantía de ECS) para motores modelo 2011 y posteriores.

- (a) Campo de aplicación: Esta garantía se aplica a motores modelo 2011 o posteriores. El período de la garantía de ECS comienza en la fecha en la que el comprador/propietario original o final realice la compra del nuevo motor o equipo y continuará durante 24 meses consecutivos a partir de ese momento.
- (b) Cobertura general de la garantía por emisiones: Dajiang garantiza al comprador/propietario original del nuevo motor o equipo y a cada comprador/propietario subsiguiente que todos sus motores:
 - (1) están diseñados, fabricados y equipados para cumplir con todas las disposiciones aplicables adoptadas por la EPA conforme con sus respectivas autoridades; y
 - (2) no presentan defectos en material ni mano de obra que, en algún momento durante el período de la garantía de ECS, puedan hacer que una pieza relacionada con las emisiones cubierta por la garantía no sea idéntica en material a la pieza tal como se la describe en la aplicación de los fabricantes del motor para su certificación.

La garantía de ECS sólo se aplica a las piezas de su motor relacionadas con las emisiones, según figura a continuación:

- (1) Cualquier pieza relacionada con las emisiones que esté cubierta por la garantía y no esté programada para ser reemplazada como parte del mantenimiento requerido según el manual del propietario tendrá cobertura durante el período de garantía de ECS. Si cualquiera de dichas piezas fallara durante el período de garantía de ECS, Dajiang deberá repararla o reemplazarla según la siguiente Subsección (4). Dicha garantía excluye cualquiera de las piezas que hayan sido modificadas, falsificadas o provenientes del "mercado gris".

LAS PIEZAS RELACIONADAS CON LAS EMISIONES INCLUYEN LAS SIGUIENTES:

- 1) Sistema de medición del combustible:
 - a) montaje del carburador de gasolina y sus componentes internos,
 - b) filtro de combustible (si tiene),
 - c) juntas del carburador y
 - d) bomba de combustible (si tiene).
- 2) Sistema de inducción de aire, que incluye:
 - a) tubo de entrada/colector múltiple y
 - b) limpiador de aire.
- 3) Sistema de encendido, que incluye:
 - a) bujía y
 - b) módulo de encendido/bobina.
- 4) Montaje del silenciador (si tiene), que incluye:
 - a) junta del silenciador y
 - b) salida múltiple.
- 5) Sistemas de evaporación
 - a) conductos del combustible,
 - b) accesorios del conducto del combustible,
 - c) receptáculo de carbono,
 - d) soportes de montaje del receptáculo,
 - e) conector del puerto de purga del carburador,
 - f) tanque de combustible,
 - g) tapa de combustible y
 - h) prensas.
- 6) Varios, que incluyen:
 - a) mangueras, correas y conectores.



2200 PSI PRESSURE WASHER
NETTOYEUR HAUTE PRESSION DE 2 200 PSI
LAVADORA A PRESIÓN DE 2 200 PSI

OPERATOR'S MANUAL

UT80516

MANUEL D'UTILISATION

MANUAL DEL OPERADOR

CALIFORNIA PROPOSITION 65

⚠ WARNING:

This product, its exhaust, and other substances that may become airborne from its use contain chemicals, including lead, known to the State of California to cause cancer, birth defects or other reproductive harm. *Wash hands after handling.*

PROPOSITION 65 DE LA CALIFORNIE

⚠ AVERTISSEMENT :

Ce produit, les gaz d'échappement qu'il dégage et les autres substances rejetées dans l'air à la suite de son utilisation peuvent contenir des produits chimiques, notamment du plomb qui, selon l'État de la Californie, causer le cancer, des anomalies congénitales et d'autres dommages au système reproducteur. *Bien se laver les mains après toute manipulation.*

CALIFORNIA - PROPUESTA DE LEY NÚM. 65

⚠ ADVERTENCIA:

Este producto, su escape y otras sustancias que puedan llegar a ser aerotransportadas por su uso contener sustancias químicas (por ejemplo, plomo) consideradas por el estado de California como causantes de cáncer, defectos de nacimiento u otras alteraciones reproductivas. *Lávese las manos después de utilizar el aparato.*

SERVICE

For parts or service, contact your nearest Homelite authorized service dealer. Be sure to provide all relevant information when you call or visit. For the location of the authorized service dealer nearest you, please call 1-800-242-4672 or visit us online at www.homelite.com.

REPAIR PARTS

The model number of this product is found on a plate or label attached to the housing. Please record the serial number in the space provided below.

MODEL NO. _____

SERIAL NO. _____

• • • • •

DÉPANNAGE

Pour tout entretien ou réparation du produit, contacter le centre de réparations Homelite agréé le plus proche. Veiller à fournir toutes les informations pertinentes lors de tout appel téléphonique ou visite. Pour obtenir l'adresse du centre de réparations agréé le plus proche, téléphoner au 1-800-242-4672, ou visiter notre site www.homelite.com.

PIÈCES DE RECHANGE

Le numéro de modèle se trouve sur une plaquette ou étiquette placée sur le bâti. Noter le numéro de série dans l'espace ci-dessous.

NUMÉRO DE MODÈLE _____

NUMÉRO DE SÉRIE _____

• • • • •

SERVICIO

Para obtener piezas o servicio, comuníquese con el centro de servicio autorizado de Homelite más cercano. Asegúrese de proporcionar todos los datos pertinentes al llamar o al presentarse personalmente. Para obtener información sobre el establecimiento de servicio autorizado más cercano a usted, le suplicamos llamar al 1-800-242-4672 o visitar nuestro sitio en la red mundial, en la dirección www.homelite.com.

PIEZAS DE REPUESTO

El número de modelo de este producto se encuentra en una placa o etiqueta pegada a la caja del motor. Le recomendamos anotar el número de serie en el espacio suministrado abajo.

NÚMERO DE MODELO _____

NÚMERO DE SERIE _____

HOMELITE CONSUMER PRODUCTS, INC.

1428 Pearman Dairy Road, Anderson, SC 29625

1-800-242-4672 • www.homelite.com

A subsidiary of Techtronic Industries Co., Ltd.

OTC:TTNDY